

**STATE OF NEW YORK  
DEPARTMENT OF ENVIRONMENTAL CONSERVATION  
DIVISION OF OPERATIONS  
BUREAU OF DESIGN & CONSTRUCTION**

**DEC STANDARD ACCESSIBLE DESIGNS  
FOR OUTDOOR RECREATIONAL FACILITIES**

**REVISED MARCH 9, 2015**



**DEC STANDARD ACCESSIBLE DESIGNS**  
**FOR OUTDOOR RECREATIONAL FACILITIES**

(REVISED 2015-03-09)

**TABLE OF CONTENTS**

**A. INTRODUCTION**

- INTRODUCTION
- HOW TO USE THIS GUIDE
- WARNING FOR PRODUCT SELECTION
- PERMIT CLEARANCE
- DEFINING FIRM AND STABLE SURFACE

**B. STANDARD DETAILS**

**PAGE**

a.	PICNIC TABLE	1-2
b.	OUTDOOR & ROCK RING FIREPLACE	3-5
c.	PIT PRIVY	6-11
d.	PRIMITIVE PIT PRIVY	12
e.	PORTABLE RESTROOM FENCE ENCLOSURE	13-14
f.	CAMPSITE BACK-IN	15
g.	CAMPSITE DRIVE-THROUGH	16
h.	CAMPSITE TENT PAD	17
i.	TENT PLATFORM	18
j.	UNPAVED PARKING	19
k.	PAVED PARKING	20
l.	OUTDOOR RECREATIONAL ACCESS ROUTE	21
m.	ACCESS TRAIL TECHNICAL PROVISIONS	22
n.	FOOT BRIDGE	23
o.	HORSE RAMP/PLATFORM	24-25
p.	TIMBER CRIB FISHING PIER/OBSERVATION DECK	26-30
q.	KIOSK A – 4’ SINGLE	31A-33A (Revised)
	KIOSK B – 4’ DOUBLE	31B-33B (Revised)
	KIOSK C – 6’ SINGLE	31C-33C (Revised)
	KIOSK D – 6’ DOUBLE	31D-33D (Revised)
r.	LEAN-TO	34-39
s.	BENCH	40
t.	DUCK BLIND/OBSERVATION DECK	41-44
u.	WATER STAND	45
v.	PORTA VAULT	46-50

**C. CATALOG CUTS**

- a. PARK BENCH
- b. FIRE RING
- c. FIREPLACE FORMLINER
- d. PORTA-JOHN
- e. DRINKING FOUNTAINS
- f. CANOE/KAYAK LAUNCHES
- g. BEACH MAT
- h. ACCESSORIES (FAUCET HANDLE, HARDWARE, ETC.)

**D. SPECIFICATIONS**

- a. DIVISION 2-SITE WORK
- b. DIVISION 5-METAL
- c. DIVISION 6-WOOD AND PLASTIC
- d. DIVISION 7-THERMAL AND MOISTURE PROTECTION
- e. DIVISION 9-FINISHES

**E. APPENDIX**

- a. UNIVERSAL DESIGN PRINCIPLES
- b. 3 EXAMPLES: LAYOUT OF HILLSIDE CAMPSITE TENT PAD
- c. UNIVERSAL DESIGN RESOURCES/INFO
- d. REGULATORY CLEARANCE CHECKLIST

# **INTRODUCTION**



## **INTRODUCTION**

The 2010 Americans for Disabilities Act (ADA) Standards for Accessible Design were published September 15, 2010 and became effective March 15, 2012. The Architectural Barriers Act (ABA) Final Guidelines for Outdoor Developed Areas was updated in September, 2013 and implementation began in November 25, 2013. NYSDEC will continue to prioritize universal accessibility for all in all its programs and facilities as per this latest federal and state guidance.

The following designs and resources in this Guidebook provide the avenue for people of all ages and abilities to enjoy the great outdoors. There are several layers of design that are necessary to create accessible outdoor facilities and environments.

The starting point is to ensure that the 2010 ADA Standards for Accessible Design are followed for all elements, such as for boating and fishing facilities. Designs for other outdoor facilities, such as campsites and beach access, are covered under the ABA and still others are original DEC designs for elements not covered under either the ADA or ABA.

It is paramount that accessibility projects preserve environmental features and ecology while inviting visitors to enjoy an attractive and natural setting. The goal is to blend design and accessibility while preserving the natural landscape to the greatest degree possible.

It is also important to remember that to achieve full accessibility, accessible elements must be connected by Access Routes for facilities under the ADA or Outdoor Recreation Access Routes in other areas.

As DEC continues to expand outdoor recreation opportunities, the design process will continue to incorporate research and ingenuity to harmonize accessibility and Universal Design principles to provide a quality visitor experience on state lands.

## **HOW TO USE THIS GUIDE**

This Guidebook has been designed to serve as guidance to all NYSDEC Regional and Program personnel responsible for program management, installation and implementation for outdoor recreation areas. Contact the Division of Operations Bureau of Design/Construction at Central Office in Albany with any questions at 518-402-9084.

## **WARNING FOR PRODUCT SELECTION**

The products and suppliers listed here in the Guidebook were selected as possible examples to facilitate choices of Regional and Program staff. They are not intended to serve as definitive recommendations given that site constraints, product and supplier changes, Forest Preserve acceptability, and other requirements vary and must be considered. Listed Products, Suppliers and/or Services they offer may or may not be acceptable. The Cut Sheets provided are intended to offer a reasonable sample of products based on recent searches, however, each product and

application requires careful consideration for each project. Contact the Bureau of Design/Construction if more assistance is needed.

### **PERMIT CLEARANCE**

All ADA projects and improvements will be required to secure Permit approval via the respective NYSDEC Regional Permit Administrator prior to construction. The Permit Clearance Check List in the Appendix is to be completed and submitted to each Regional Permit office in order to assist with the Permit process.

### **DEFINING “FIRM AND STABLE SURFACE”**

As stated by the U.S. Access Board (section 1017.2) published Sept. 26, 2013 in the Federal Register, a firm and stable surface is defined as follows: “A firm surface resists deformation by indentations. A stable surface is not permanently affected by expected weather conditions and can sustain normal wear and tear from the expected uses between planned maintenance.”

In addition, see Division 2 specifications related to this item. A firm and stable surface applies where shown on the detail sheets and as stated in the overall Architectural Barrier Act Accessibility Guidelines for Outdoor Developed Areas and US Access Board guidance effective November 25, 2013. (see Specification 02226 Aggregate Surfacing)

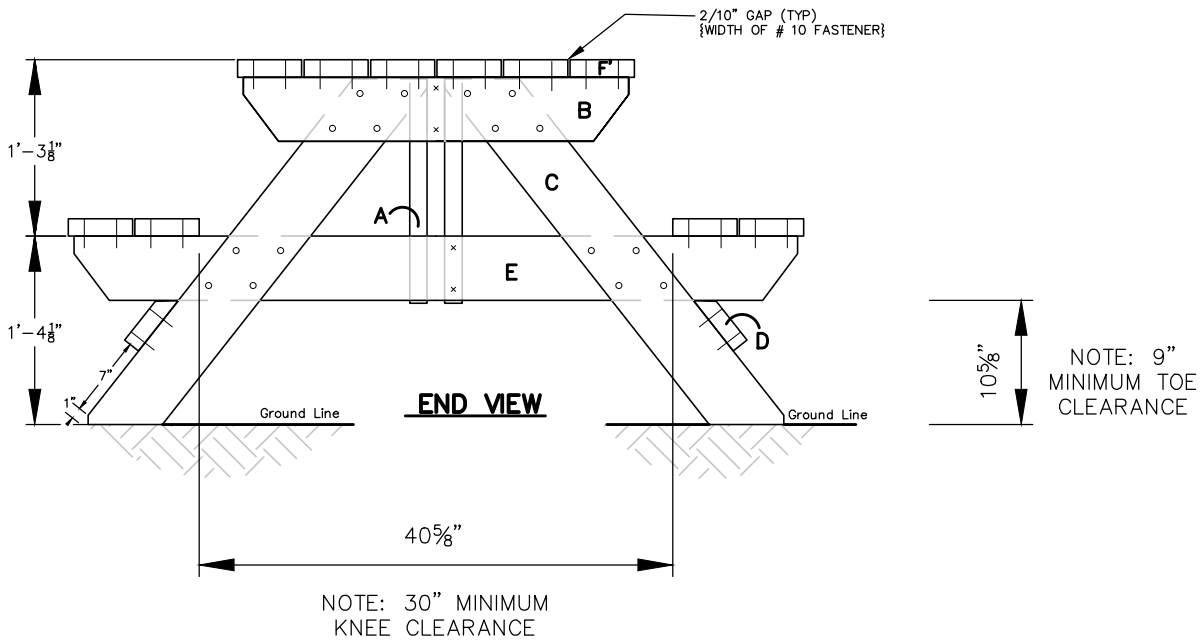
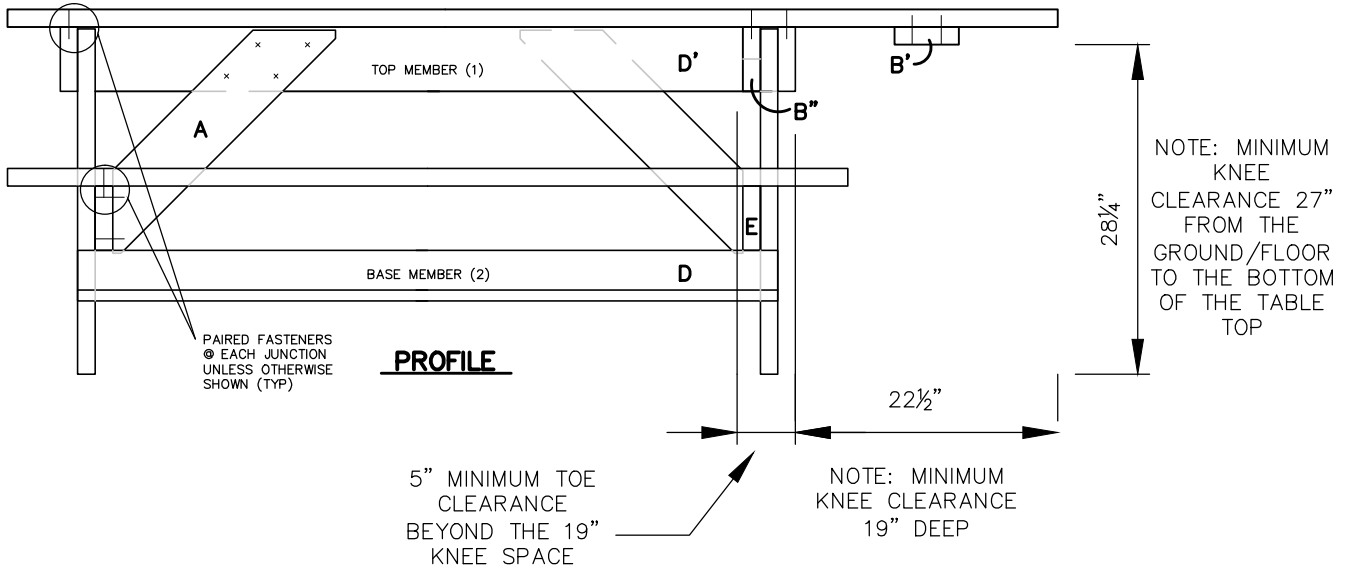


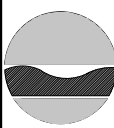
## **STANDARD DETAILS**



# NOTES

- SURFACE SHALL BE FIRM AND STABLE
- REQUIRES 1 WHEELCHAIR SPACE (30" MIN. X 48" MIN.) FOR EVERY 24 LF OF USEABLE TABLE SPACE.
- PROVIDE KNEE SPACE OF AT LEAST 30 INCHES WIDE, 19 INCHES DEEP, AND 27 INCHES FROM THE GROUND/FLOOR TO THE BOTTOM OF THE TABLE TOP. FROM GROUND TO TABLE TOP SURFACE SHALL BE AT A HEIGHT OF MIN. 28" HEIGHT TO 34" MAX.
- PROVIDE TOE CLEARANCE OF 9 INCHES ABOVE THE GROUND/FLOOR EXTENDING FOR A TOTAL DEPTH OF 24 INCHES.
- PROVIDE 36" MINIMUM CLEAR GROUND SPACE SURROUNDING THE ENTIRE USEABLE PORTIONS OF THE TABLE. TABLE SHALL BE POSITIONED FOR A FORWARD WHEELCHAIR APPROACH WITH ADEQUATE TURNING CLEAR SPACE FOR MANEUVERING IN AND OUT OF THIS SPACE AS FOLLOWS: 36" X 48" FORWARD; 30" X 60" PARALLEL.
- 1:48 (2%) MAX. GROUND SURFACE SLOPE; IF SURFACE IS OTHER THAN ASPHALT, CONCRETE OR BOARDS, 1:20 (5%) ALLOWED IF NEEDED FOR DRAINAGE.



DRAWING NO. <b>1</b>	SCALE AS NOTED	DATE 2014	PROJECT NO. 67495	FACILITY NO. XXXX	FACILITY NAME XXXXXXXXXXXXXXXXXXXX	PROJECT DESCRIPTION		REVISIONS			DESIGNED BY CHECKED BY DRAWN BY		STATE OF NEW YORK DEPARTMENT OF ENVIRONMENTAL CONSERVATION DIVISION OF OPERATIONS BUREAU OF DESIGN & CONSTRUCTION
						DEC STANDARD ACCESSIBLE DESIGNS FOR OUTDOOR RECREATIONAL FACILITIES <b>PICNIC TABLE</b>		NO.	DATE	DESCRIPTION			

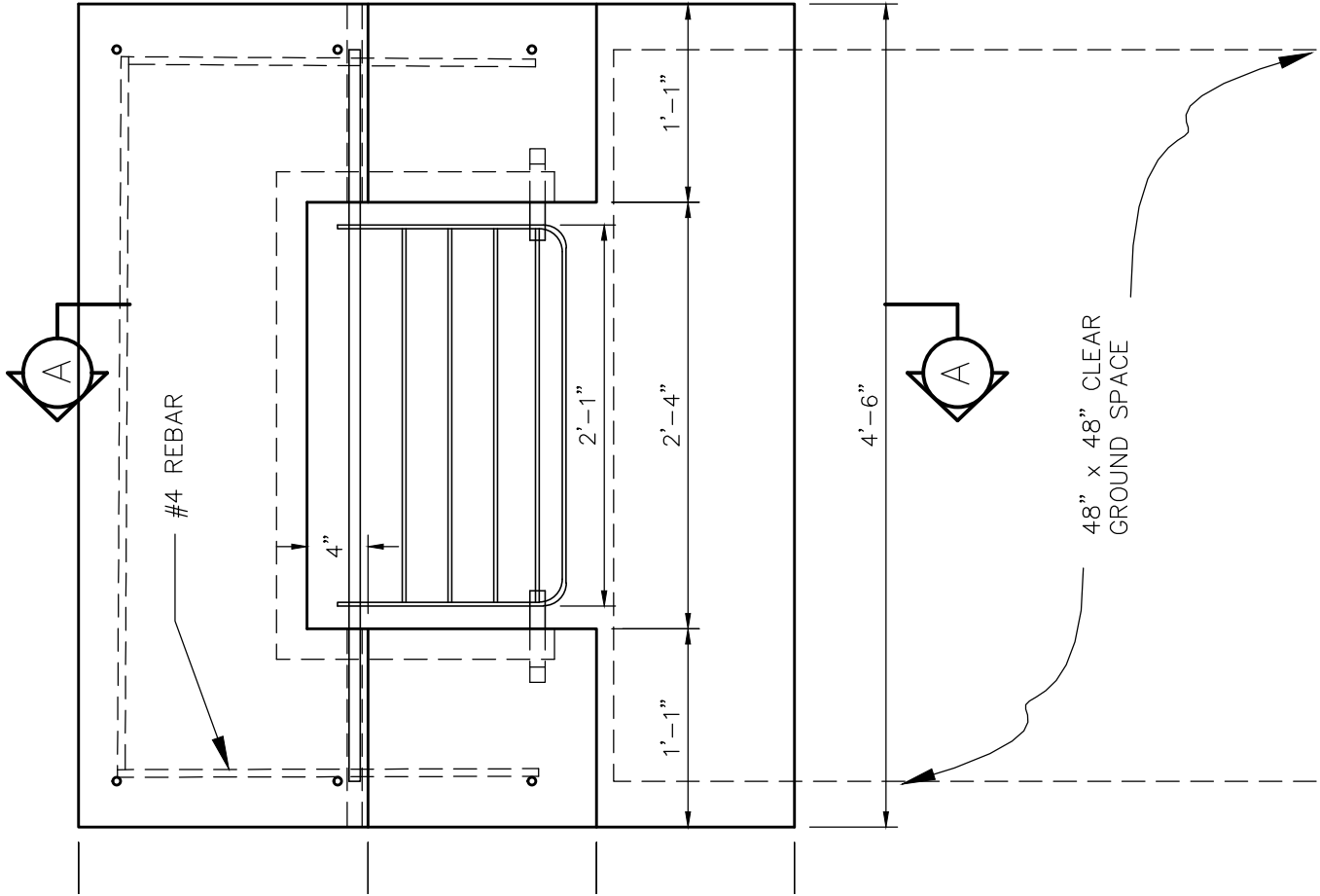


# FIREPLACE

- THE SURFACE OF CLEAR SPACE SHALL BE STABLE AND FIRM.
- CLEAR SPACES SHALL HAVE SLOPES NO GREATER THAN 1:48 IN ALL DIRECTIONS (1:48 MAX FOR ASPHALT, CONCRETE OR BOARDS. 1:33 MAX IS OK FOR GROUND IF NECESSARY FOR DRAINAGE)
- ALL USABLE PORTIONS OF THE COOKING SURFACE SHALL BE PROVIDED WITH A CLEAR FLOOR OR GROUND SPACE WHICH IS 48 INCHES MINIMUM IN DEPTH MEASURED FROM THE COOKING SURFACE AND 48 INCHES MINIMUM IN WIDTH
- THE FIRE SURFACE SHALL BE A MINIMUM OF 9" ABOVE THE GROUND
- THE COOKING SURFACE SHALL BE 15" MINIMUM AND 34" MAXIMUM ABOVE THE GROUND OR FLOOR SURFACE.

# PLAN

SCALE: AS NOTED



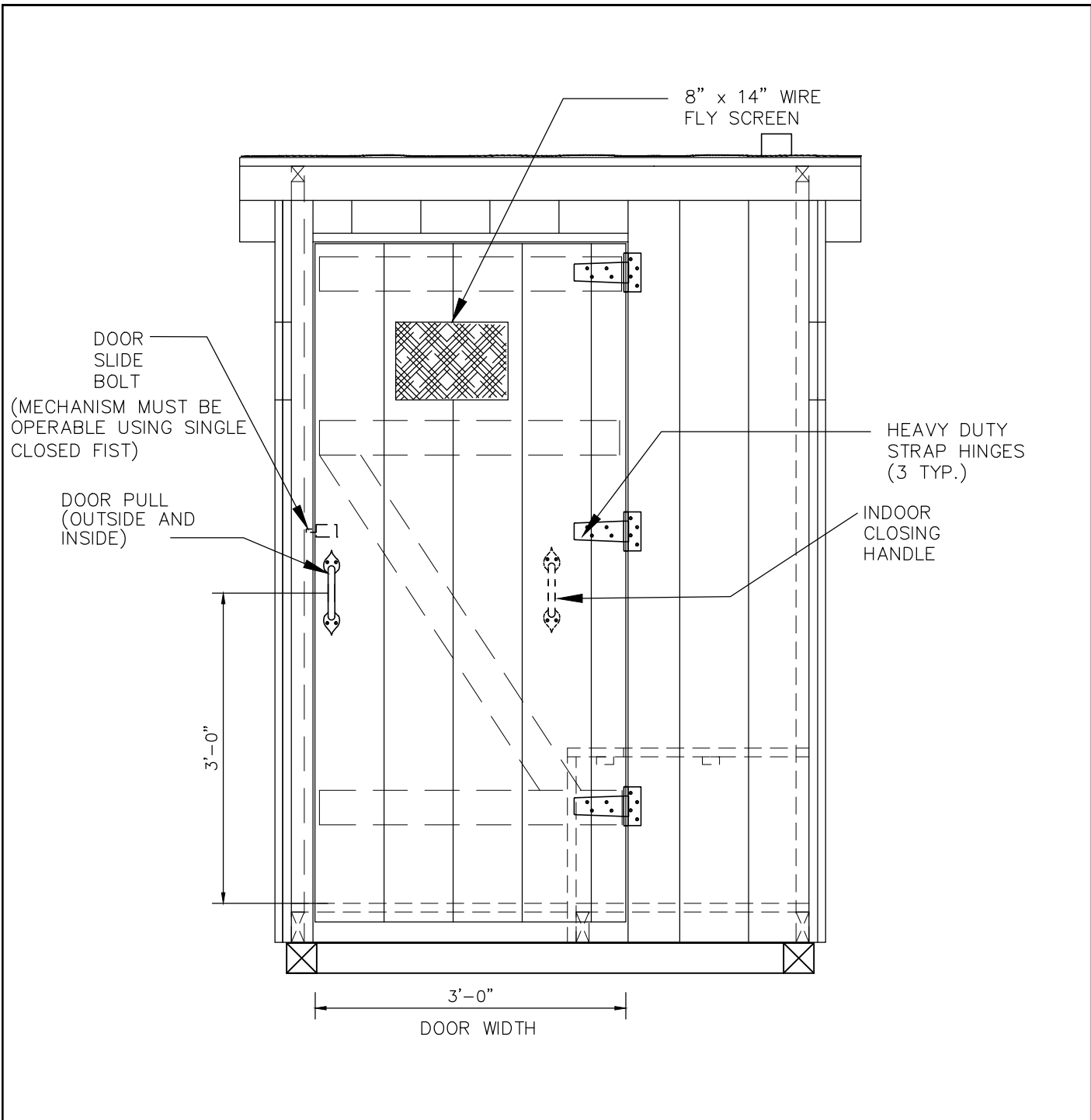
DRAWING NO. <b>3</b>	SCALE AS NOTED	DATE 2014	PROJECT NO. 67495	PRIORITY NO. XXXX	REVISIONS	DESIGNED BY	CHECKED BY	DRAWN BY		STATE OF NEW YORK DEPARTMENT OF ENVIRONMENTAL CONSERVATION DIVISION OF OPERATIONS BUREAU OF DESIGN & CONSTRUCTION







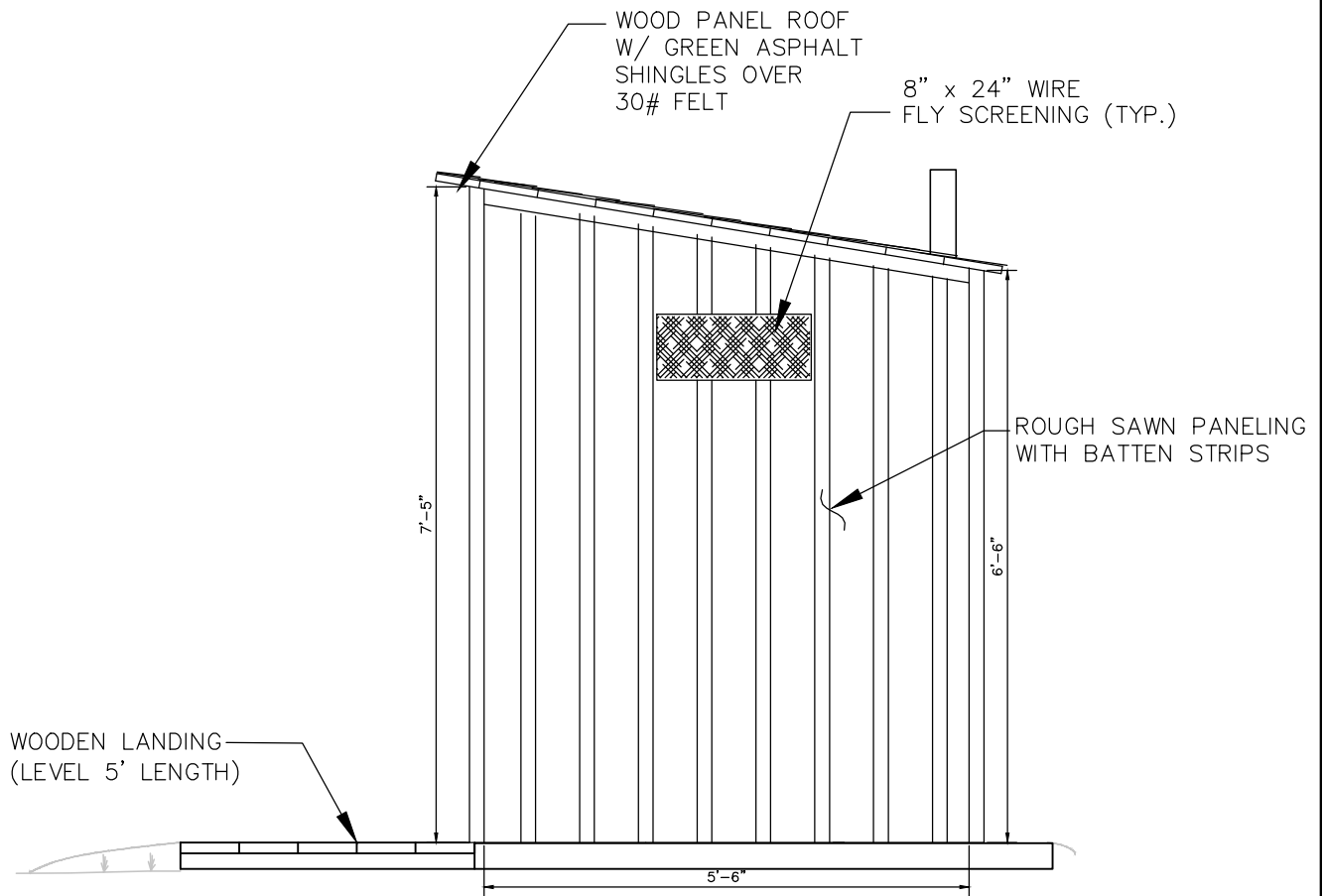




# FRONT ELEVATION


SCALE: AS NOTED

<b>7</b>	DRAWING NO. SCALE AS NOTED	DATE 2014	PROJECT NO. 67495	FACILITY NO. XXXX	FACILITY NAME XXXXXXXXXXXXXXXXXXXX XXXXXXXXXXXXXXXXXXXX XXXXXXXXXXXXXXXXXXXX	<b>PROJECT DESCRIPTION</b>	<b>REVISIONS</b>	<b>DESIGNED</b>		<b>STATE OF NEW YORK</b> <b>DEPARTMENT OF ENVIRONMENTAL CONSERVATION</b> <b>DIVISION OF OPERATIONS</b> <b>BUREAU OF DESIGN &amp; CONSTRUCTION</b>
						DEC STANDARD ACCESSIBLE DESIGNS FOR OUTDOOR RECREATIONAL FACILITIES	NO. DATE DESCRIPTION BY	BY _____		
						<b>PIT PRIVY FRONT ELEVATION</b>		CHECKED BY _____		
							AS BUILT	DRAWN BY _____		

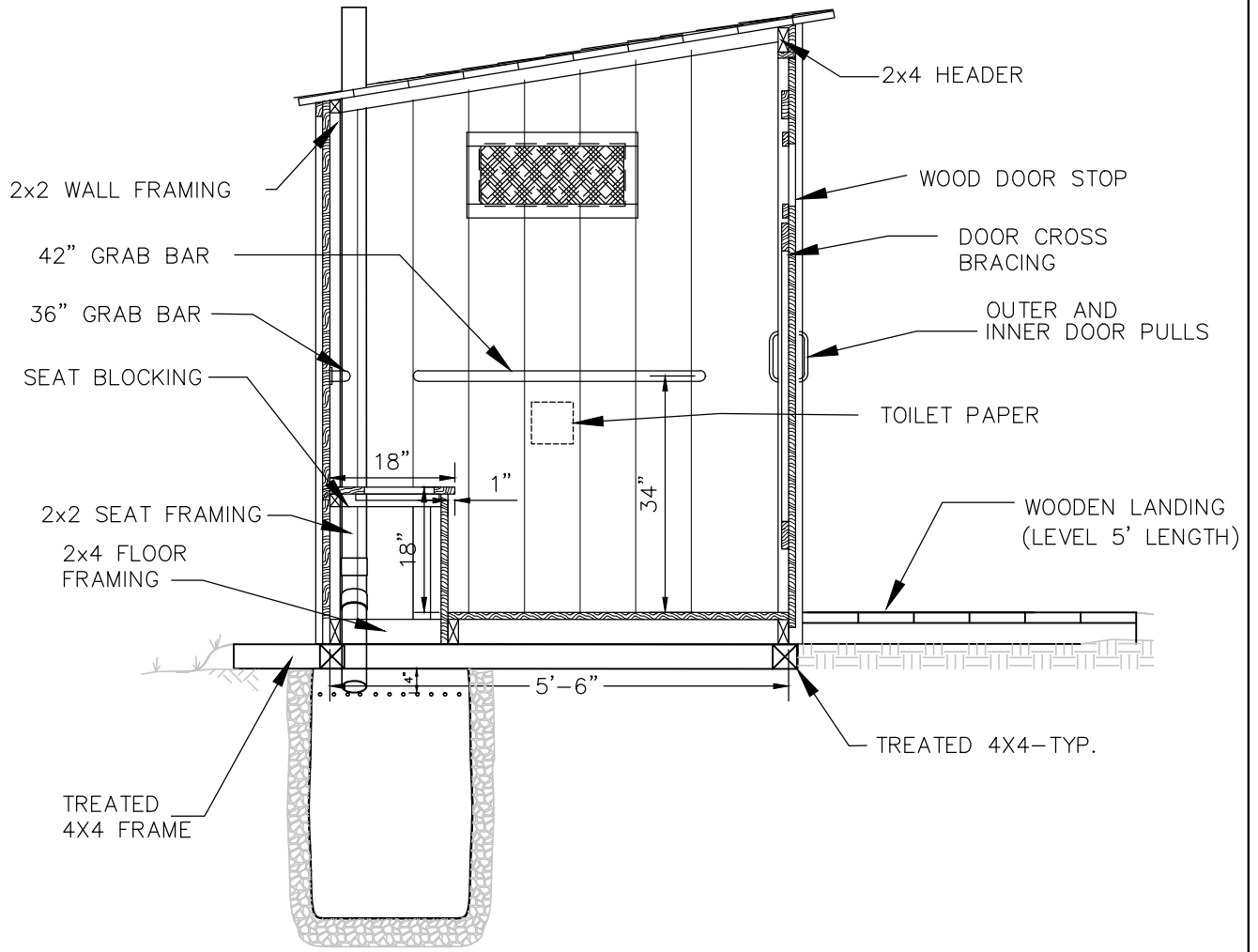


# SIDE ELEVATION

SCALE: AS NOTED


DRAWING NO.  <b>8</b>	SCALE AS NOTED	DATE 2014	PROJECT NO. 67495	FACILITY NO. XXXX	FACILITY NAME XXXXXXXXXXXXXXXXXXXX XXXXXXXXXXXXXXXXXXXX XXXXXXXXXXXXXXXXXXXX	PROJECT DESCRIPTION				STATE OF NEW YORK DEPARTMENT OF ENVIRONMENTAL CONSERVATION DIVISION OF OPERATIONS BUREAU OF DESIGN & CONSTRUCTION			
						DEC STANDARD ACCESSIBLE DESIGNS FOR OUTDOOR RECREATIONAL FACILITIES							
						<b>PIT PRIVY SIDE ELEVATION</b>							
						AS BUILT							
						REVISIONS							
						NO.	DATE	DESCRIPTION	BY	DESIGNED			
										BY _			
										CHECKED			
										BY _			
										DRAWN			
										BY _			





## SECTION B-B

SCALE: AS NOTED

<b>10</b>	DRAWING NO.	SCALE AS NOTED	DATE 2014	PROJECT NO. 67495	FACILITY NO. XXXX	FACILITY NAME XXXXXXXXXXXXXXXXXXXX XXXXXXXXXXXXXXXXXXXX XXXXXXXXXXXXXXXXXXXX	<b>PROJECT DESCRIPTION</b>	<b>REVISIONS</b>	<b>DESIGNED</b>		<b>STATE OF NEW YORK</b> <b>DEPARTMENT OF ENVIRONMENTAL CONSERVATION</b> <b>DIVISION OF OPERATIONS</b> <b>BUREAU OF DESIGN &amp; CONSTRUCTION</b>
							DEC STANDARD ACCESSIBLE DESIGNS FOR OUTDOOR RECREATIONAL FACILITIES	NO. DATE DESCRIPTION BY	BY		
							<b>PIT PRIVY SIDE SECTION</b>	AS BUILT	CHECKED		
									BY		

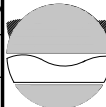
# PIT PRIVY NOTES

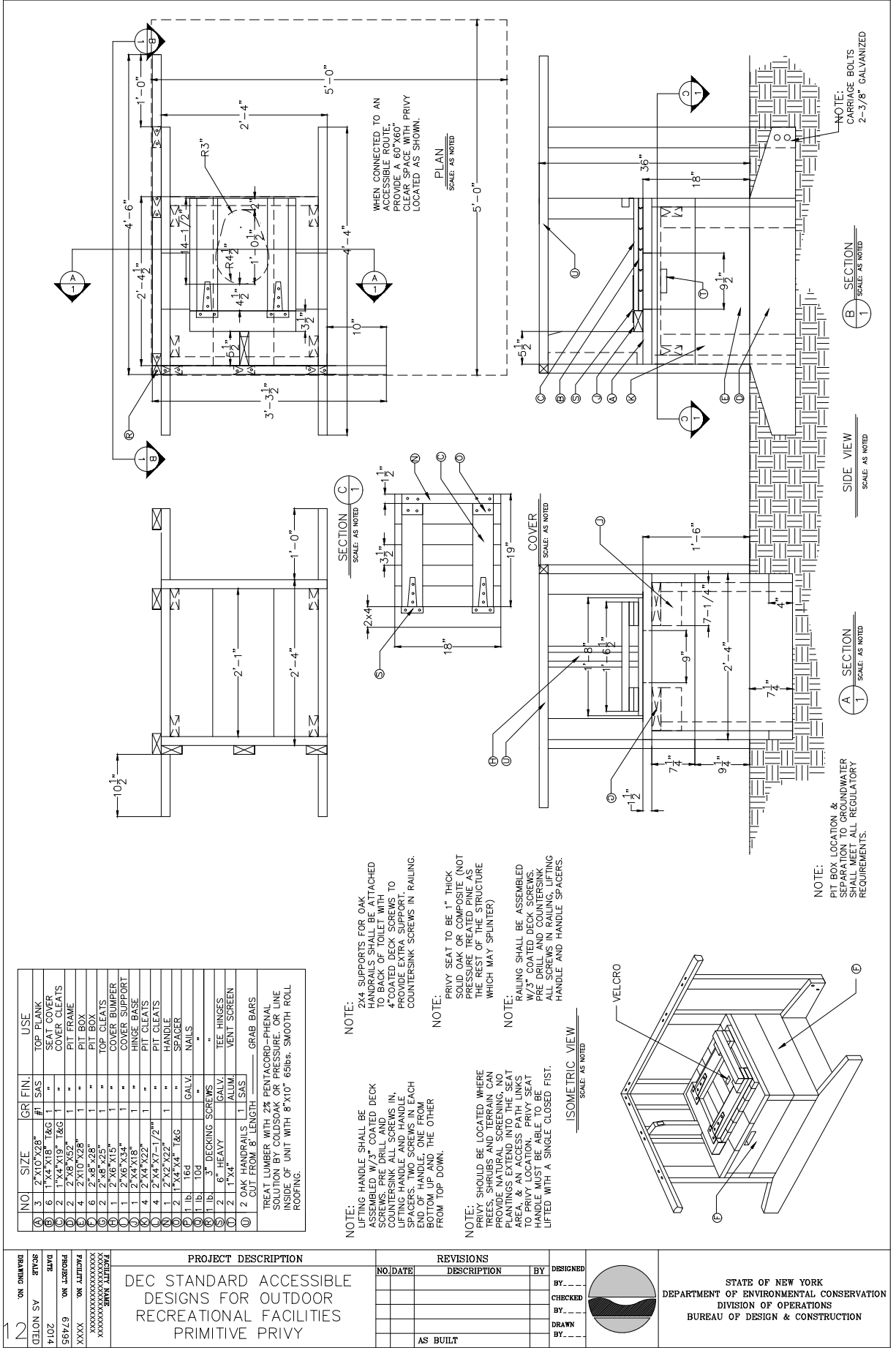
## ACCESSIBILITY NOTES:

- GRAB BARS SHALL BE 1 ¼" – 1 ½" IN DIAMETER AND SHALL FURNISH A 1 ½" SPACE BETWEEN THE BAR AND WALL.
- GRAB BARS LOCATED BEHIND THE WATER CLOSET SHALL BE 36" MINIMUM IN LENGTH AND 33"–36" ABOVE FINISH FLOOR.
- GRAB BARS LOCATED ASIDE THE WATER CLOSET SHALL BE 42" MINIMUM IN LENGTH AND 33"–36" ABOVE FINISH FLOOR.
- WATER CLOSET SEAT HEIGHT SHALL BE 17"–19" ABOVE FINISH FLOOR.
- SEAT TOP TO BE SMOOTH COMPOSITE 1" THICK (OR SOLID OAK) TO MAINTAIN SMOOTH TRANSFER SURFACE
- THE TOILET PAPER DISPENSER SHALL BE 19" MINIMUM ABOVE FINISH FLOOR.
- THE DOORWAY SHALL HAVE A MINIMUM CLEAR OPENING OF 32" WITH THE DOOR OPEN 90 DEGREES LEADING TO 5' WIDE LEVEL LANDING
- PROVIDE A DOOR PULL ON THE INSIDE, HINGE SIDE, TO ALLOW WHEELCHAIR USERS TO PULL THE DOOR SHUT WHEN IT IS OPEN. (MOUNT 8" FROM THE DOOR EDGE, 36" ABOVE THE FINISH FLOOR)
- ALL HARDWARE TO HAVE AN OPERATING FORCE OF NOT MORE THAN 5 LBS. (OPERABLE WITH A SINGLE CLOSED FIST); USE LARGEST AVAILABLE SIZE FOR EASE OF USE.
- THE 5' WIDE BY 5' LONG LEVEL LANDING SHALL CONNECT THE DOORWAY TO THE ACCESSIBLE PATH LEADING TO THE PRIVY

## CONSTRUCTION NOTES:

- ALL REGULATORY REQUIREMENTS MUST BE MET. SOIL CONDITIONS PERMITTING, PIT DEPTH TO BE MINIMUM 3 FT. DEPTH.
- ALL FRAMING LUMBER TO BE PRESSURE TREATED.
- OVERALL PLAN DIMENSIONS MAY VARY IF SHIP LAP OR TONGUE AND GROOVE IS USED.
- BATTENS NOT REQUIRED IF ALTERNATIVE SIDING IS USED.
- FINISH TO BE CABOT'S CHESTNUT BROWN SOLID COLOR STAIN OR BETTER.

<b>11</b>	DRAWING NO.	SCALE	DATE	PROJECT NO.	FACILITY NO.	FACILITY NAME	<b>PROJECT DESCRIPTION</b>	<b>REVISIONS</b>	<b>DESIGNED</b>	 <p style="text-align: center; font-size: small;">STATE OF NEW YORK DEPARTMENT OF ENVIRONMENTAL CONSERVATION DIVISION OF OPERATIONS BUREAU OF DESIGN &amp; CONSTRUCTION</p>
	AS NOTED	2014	67495	XXXX	XXXXXXXXXXXXXXXXXXXX XXXXXXXXXXXXXXXXXXXX XXXXXXXXXXXXXXXXXXXX	DEC STANDARD ACCESSIBLE DESIGNS FOR OUTDOOR RECREATIONAL FACILITIES	NO. DATE DESCRIPTION BY	BY _____		
							PIT PRIVY NOTES	CHECKED BY _____	DRAWN BY _____	
							AS BUILT	BY _____	BY _____	



NO.	SIZE	QTY	GR FIN.	USE
1	2"x10"x28"	1	SAS	TOP PLANK
2	1"x4"x18"	1	T&G	SEAT COVER
3	1"x4"x19"	1	T&G	COVER CLEATS
4	2"x8"x32"	1	"	PIT FRAME
5	2"x10"x28"	1	"	PIT BOX
6	2"x8"x28"	1	"	PIT BOX
7	2"x6"x15"	1	"	TOP CLEATS
8	2"x6"x15"	1	"	COVER BUMPER
9	2"x6"x34"	1	"	COVER SUPPORT
10	2"x4"x18"	1	"	HINGE BASE
11	2"x4"x18"	1	"	PIT CLEATS
12	2"x4"x22"	1	"	HANDRAIL
13	2"x2"x27/2"	1	"	HANDRAIL
14	1"x4"x4"	1	T&G	SPACER
15	1 lb.	10d	"	NAILS
16	1 lb.	10d	"	NAILS
17	1 lb.	3"	DECKING SCREWS	"
18	2	6"	HEAVY GALV.	TEE HINGES
19	2	1"x4"	ALUM.	VENT SCREEN
20	2	OAK HANDRAILS	1.1	SAS
21	2	OAK HANDRAILS	1.1	SAS

TREAT LUMBER WITH 2% PENTACORD-PHENOL SOLUTION BY COLD SOAK OR PRESSURE. OR LINE INSIDE OF UNIT WITH 8"x10" 68lbs. SMOOTH ROLL ROOFING.

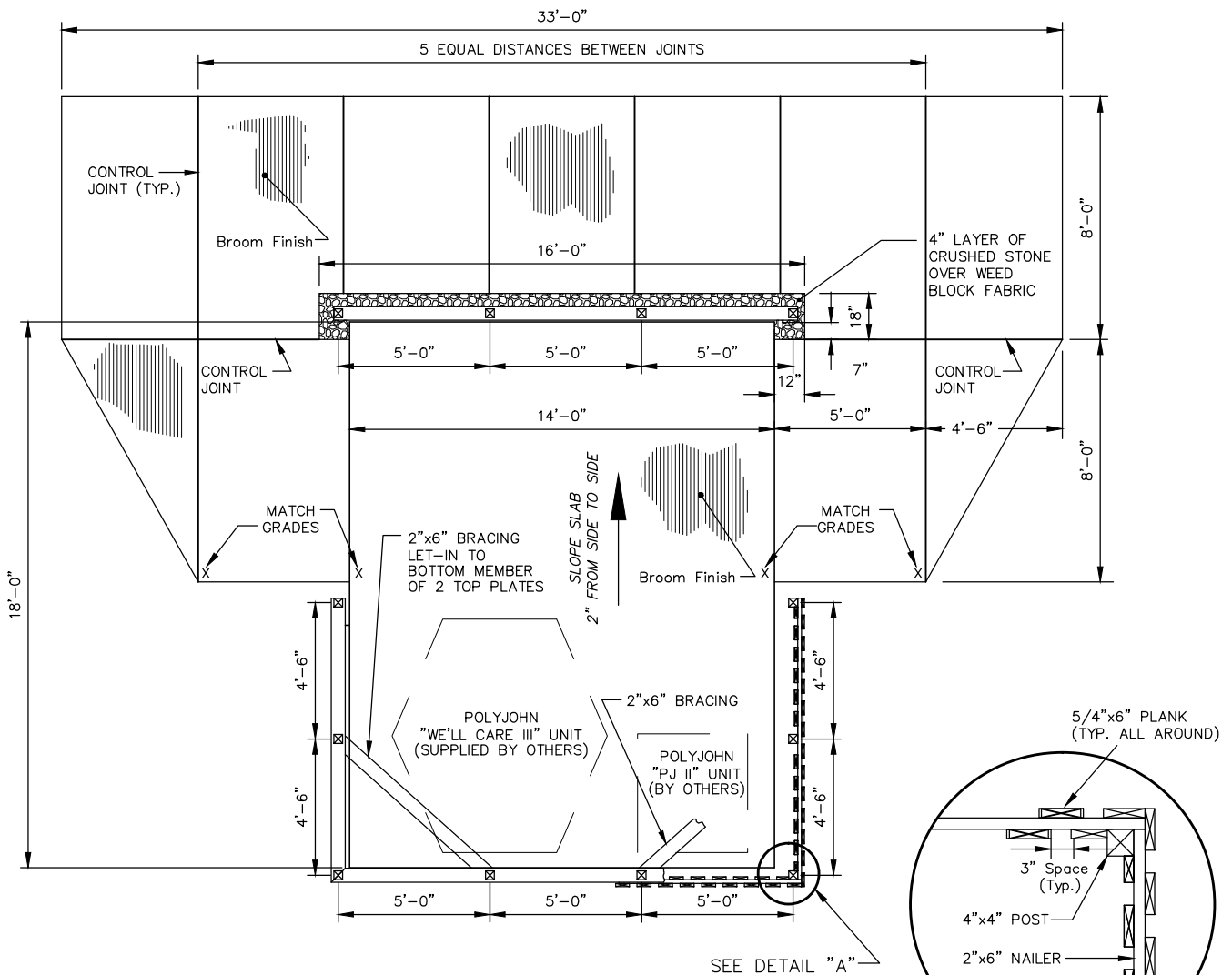
NO.	DATE	DESCRIPTION	BY	DESIGNED
AS BUILT				

**PROJECT DESCRIPTION**  
DEC STANDARD ACCESSIBLE  
DESIGNS FOR OUTDOOR  
RECREATIONAL FACILITIES  
PRIMITIVE PRIVY

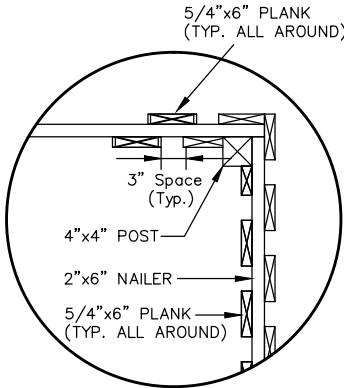
**REVISIONS**

**STATE OF NEW YORK**  
DEPARTMENT OF ENVIRONMENTAL CONSERVATION  
DIVISION OF OPERATIONS  
BUREAU OF DESIGN & CONSTRUCTION

**NOTES:**  
LIFTING HANDLE SHALL BE ASSEMBLED W/3" COATED DECK SCREWS. PRE DRILL AND COUNTERSINK ALL SCREWS IN. SPACERS: TWO SCREWS IN EACH END OF HANDLE, ONE FROM BOTTOM UP AND THE OTHER FROM TOP DOWN.  
PRIVY SEAT TO BE 1" THICK SOLID OAK OR COMPOSITE (NOT PRESSURE TREATED PINE AS WHICH MAY SPLINTER)  
RAILING SHALL BE ASSEMBLED WITH 2" DECK SCREWS. PRE DRILL AND COUNTERSINK ALL SCREWS IN RAILING. LIFTING HANDLE AND HANDLE SPACERS.  
PIT BOX LOCATION & SEPARATION TO GROUNDWATER SHALL MEET ALL REGULATORY REQUIREMENTS.  
NOTE: CARRIAGE BOLTS 2-3/8" GALVANIZED




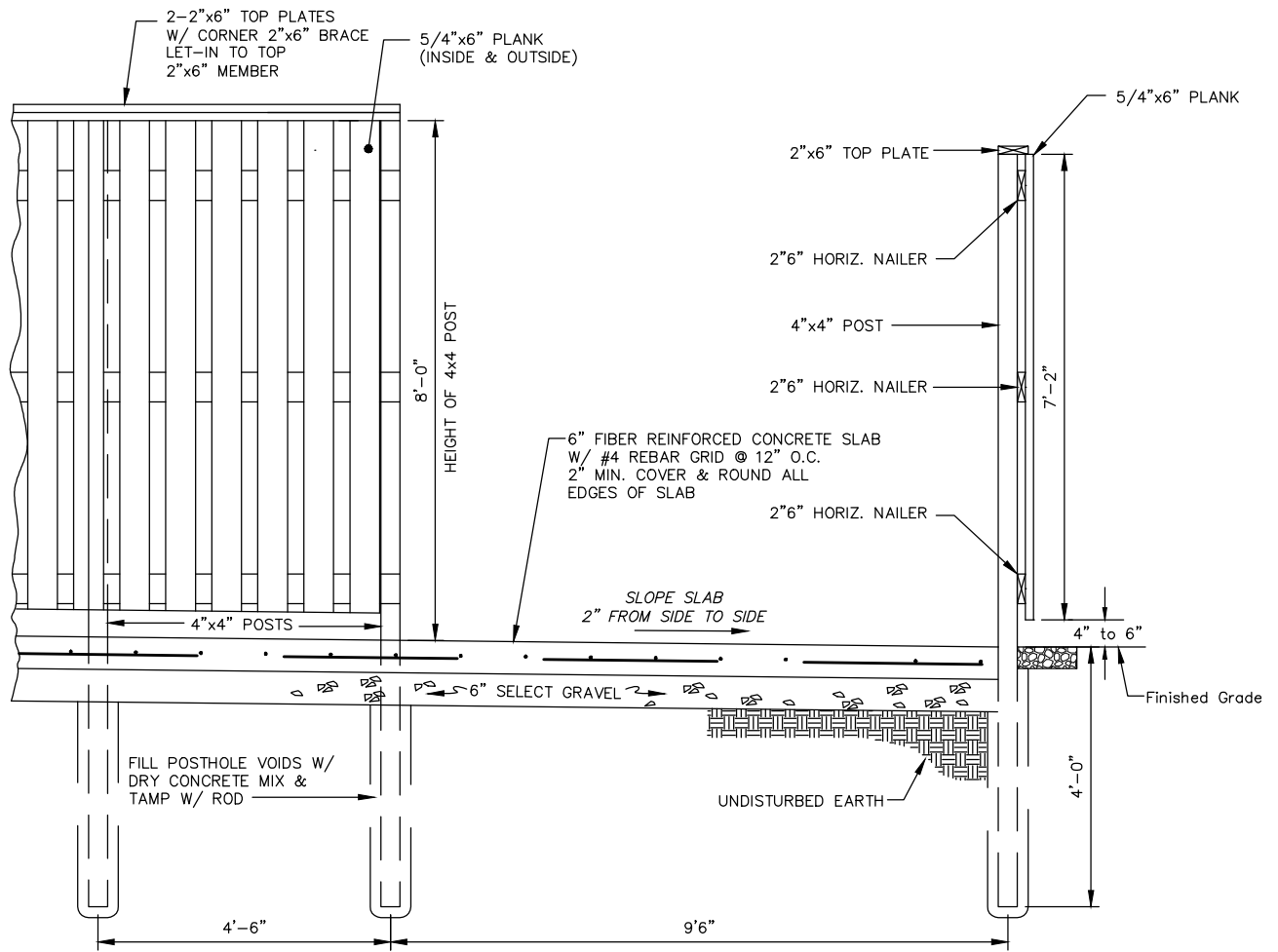
**PLAN VIEW**  
SCALE: AS NOTED



**DETAIL "A"**  
SCALE: AS NOTED

**FENCE ENCLOSURE**


DRAWING NO. <b>13</b>	SCALE AS NOTED	DATE 2014	PROJECT NO. 67495	FACILITY NO. XXXX	FACILITY NAME XXXXXXXXXXXXXXXXXXXX	<b>PROJECT DESCRIPTION</b>			<b>REVISIONS</b>				STATE OF NEW YORK DEPARTMENT OF ENVIRONMENTAL CONSERVATION DIVISION OF OPERATIONS BUREAU OF DESIGN & CONSTRUCTION		
						DEC STANDARD ACCESSIBLE			NO.	DATE	DESCRIPTION			BY	DESIGNED
						DESIGNS FOR OUTDOOR									BY
						<b>PORTABLE REST ROOM</b>									CHECKED
<b>FENCE ENCLOSURE</b>							BY								



**ELEVATION**

SCALE: AS NOTED

NOTE: ALL TIMBER IS PRESSURE TREATED PER SPECS.

DRAWING NO.	SCALE	DATE	PROJECT NO.	FACILITY NO.	FACILITY NAME	REVISIONS			DESIGNED BY	CHECKED BY	DRAWN BY	STATE OF NEW YORK DEPARTMENT OF ENVIRONMENTAL CONSERVATION DIVISION OF OPERATIONS BUREAU OF DESIGN & CONSTRUCTION
						NO.	DATE	DESCRIPTION				
14	AS NOTED	2014	67495	XXXX	XXXXXXXXXXXXXXXXXXXX							

**PROJECT DESCRIPTION**  
 DEC STANDARD ACCESSIBLE  
 DESIGNS FOR OUTDOOR  
 RECREATIONAL FACILITIES  
**PORTABLE REST ROOM  
 FENCE ENCLOSURE**

AS BUILT











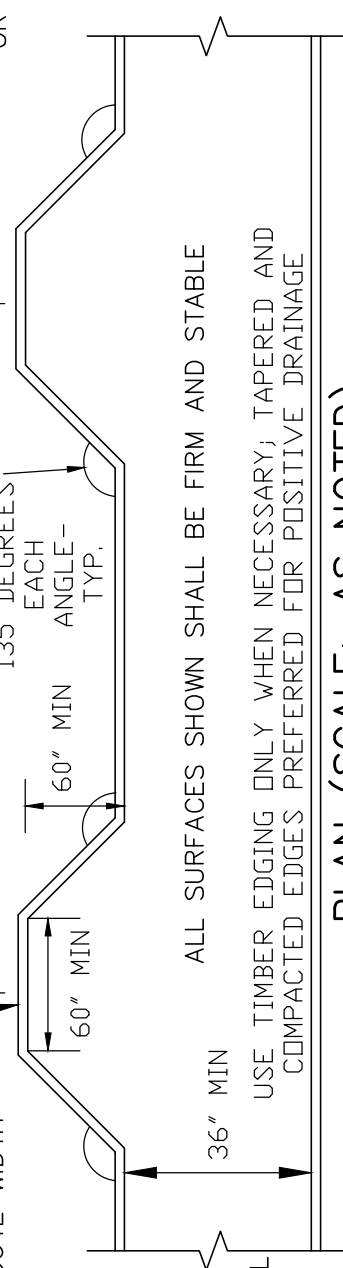




# OUTDOOR RECREATION ACCESS ROUTE (ORAR)

- CONNECTS ACCESSIBLE ELEMENTS WITHIN CAMPGROUND AND DAY USE AREAS (NOT A TRAIL).
- CROSS SLOPE: 1:48 (2%) MAX EXCEPT IF SURFACE IS OTHER THAN ASPHALT, CONCRETE OR BOARDS 1:20 (5%) IF NECESSARY FOR DRAINAGE.
- RUNNING SLOPE:
  - UP TO 1:20 (5%) FOR ANY DISTANCE
  - 1:20 (5%) TO 1:12 (8.33%) - 50' MAX
  - 1:12 ((8.33%) TO 1:10 (10%) - 30' MAX
- ALL DRAINAGE SHALL BE DIRECTED OFF EACH SEGMENT OF THE ROUTE.
- CLEAR PASSING SPACE/RESTING INTERVAL HAVE SAME CROSS SLOPES REQUIREMENTS.
- RUNNING SLOPE REQUIRED INTERVAL
  - 1:20 NO GREATER THAN 200'
  - 1:12 NO GREATER THAN 50'
  - 1:10 NO GREATER THAN 30'
- 4" PROTRUSION ONTO MAIN ROUTE ALLOWED BETWEEN A HEIGHT OF 27" TO 80" (FOR SIGNS & POST MOUNTED OBJECTS)
- SURFACE OBSTACLES ANYWHERE SHALL BE <math>< 1/2''</math>; (1" IF SURFACE IS OTHER THAN ASPHALT, CONCRETE OR BOARDS)

PASSING SPACE WITH DIMENSIONS SHOWN IS REQUIRED IF ROUTE WIDTH IS <math>< 60''</math>.

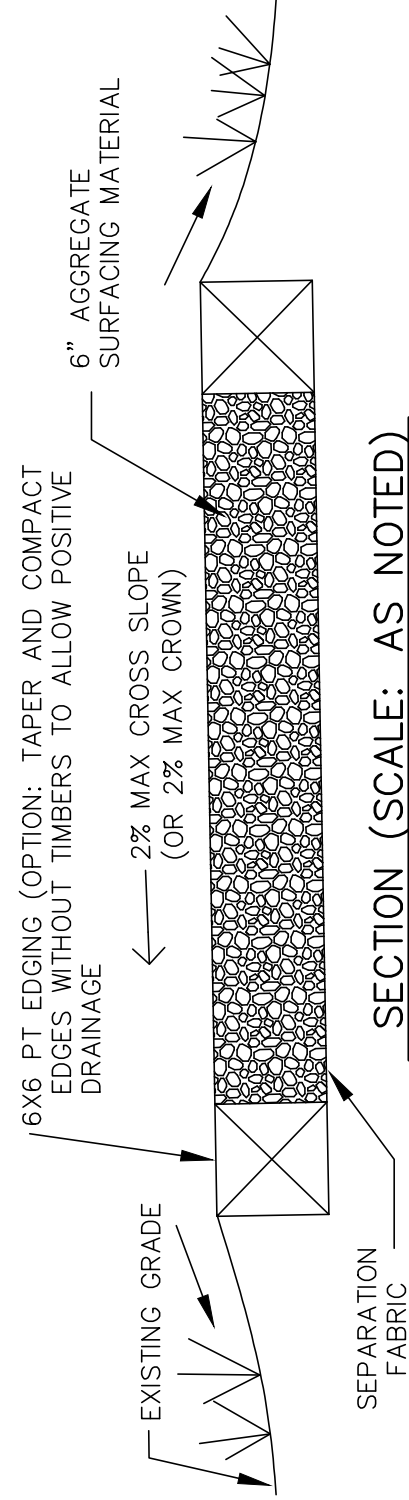


OPENINGS: SEE ACCESS TRAIL TECHNICAL PROVISIONS

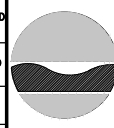
ALL SURFACES SHOWN SHALL BE FIRM AND STABLE

USE TIMBER EDGING ONLY WHEN NECESSARY; TAPERED AND COMPACTED EDGES PREFERRED FOR POSITIVE DRAINAGE

## PLAN (SCALE: AS NOTED)



## SECTION (SCALE: AS NOTED)

DRAWING NO.  SCALE DATE PROJECT NO. FACILITY NO.	PROJECT DESCRIPTION  DEC STANDARD ACCESSIBLE DESIGNS FOR OUTDOOR RECREATIONAL FACILITIES  <b>OUTDOOR RECREATION ACCESS ROUTE</b>	REVISIONS <table border="1" style="width: 100%; border-collapse: collapse;"> <thead> <tr> <th>NO.</th> <th>DATE</th> <th>DESCRIPTION</th> <th>BY</th> </tr> </thead> <tbody> <tr> <td> </td> <td> </td> <td> </td> <td> </td> </tr> <tr> <td> </td> <td> </td> <td> </td> <td> </td> </tr> <tr> <td> </td> <td> </td> <td> </td> <td> </td> </tr> <tr> <td> </td> <td> </td> <td> </td> <td> </td> </tr> </tbody> </table>	NO.	DATE	DESCRIPTION	BY																	DESIGNED BY CHECKED BY DRAWN BY		STATE OF NEW YORK DEPARTMENT OF ENVIRONMENTAL CONSERVATION DIVISION OF OPERATIONS BUREAU OF DESIGN & CONSTRUCTION
NO.	DATE	DESCRIPTION	BY																						









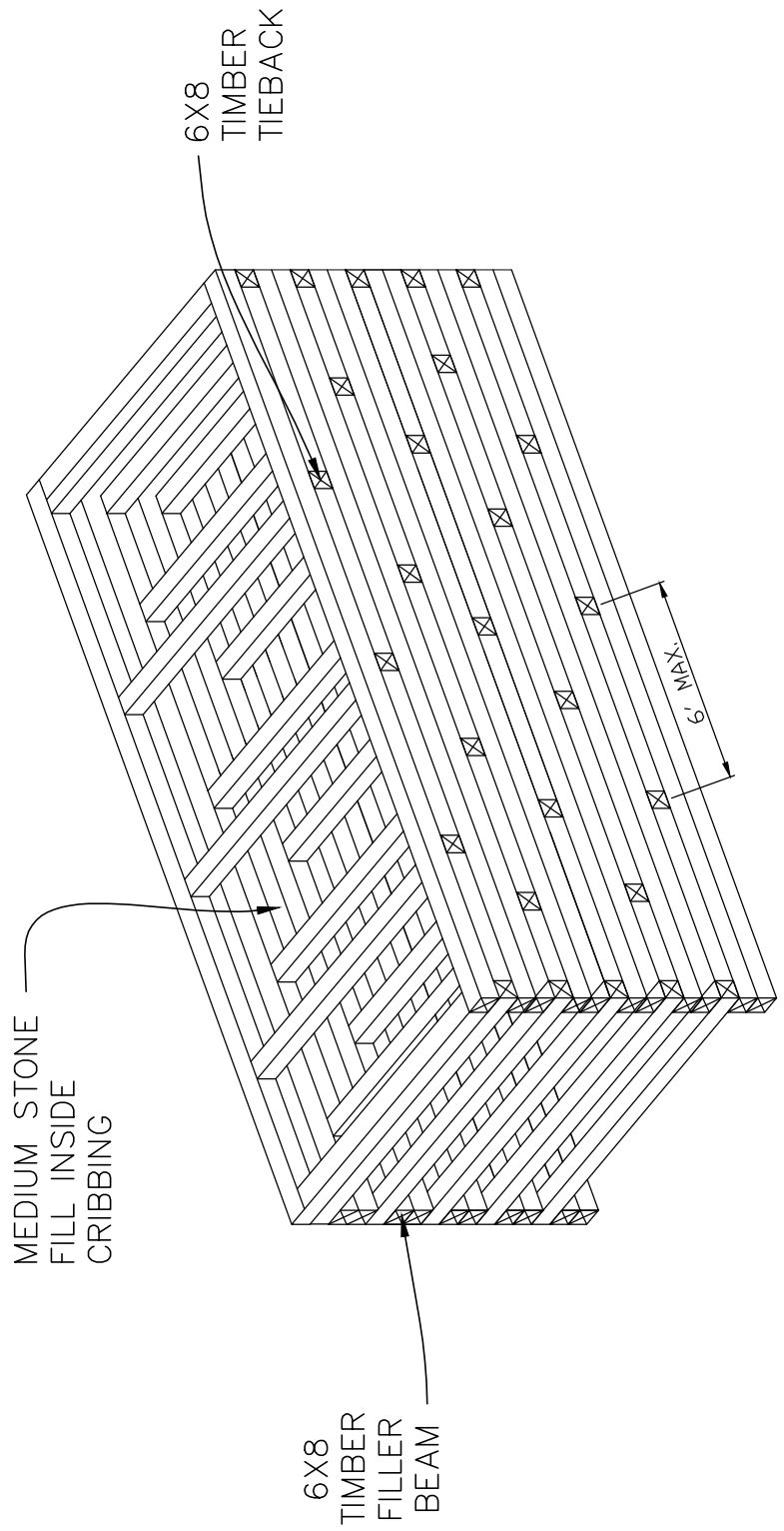












CRIBBING  
3D PLAN  
SCALE: AS NOTED

NOTE: ALL WOOD SHALL BE  
PRESSURE TREATED

DRAWING NO. 30  
SCALE AS NOTED  
DATE 2014  
PROJECT NO. 67495  
FACILITY NO. XXXX  
XXXXXXXXXXXXXXXXXXXX  
XXXXXXXXXXXXXXXXXXXX  
XXXXXXXXXXXXXXXXXXXX

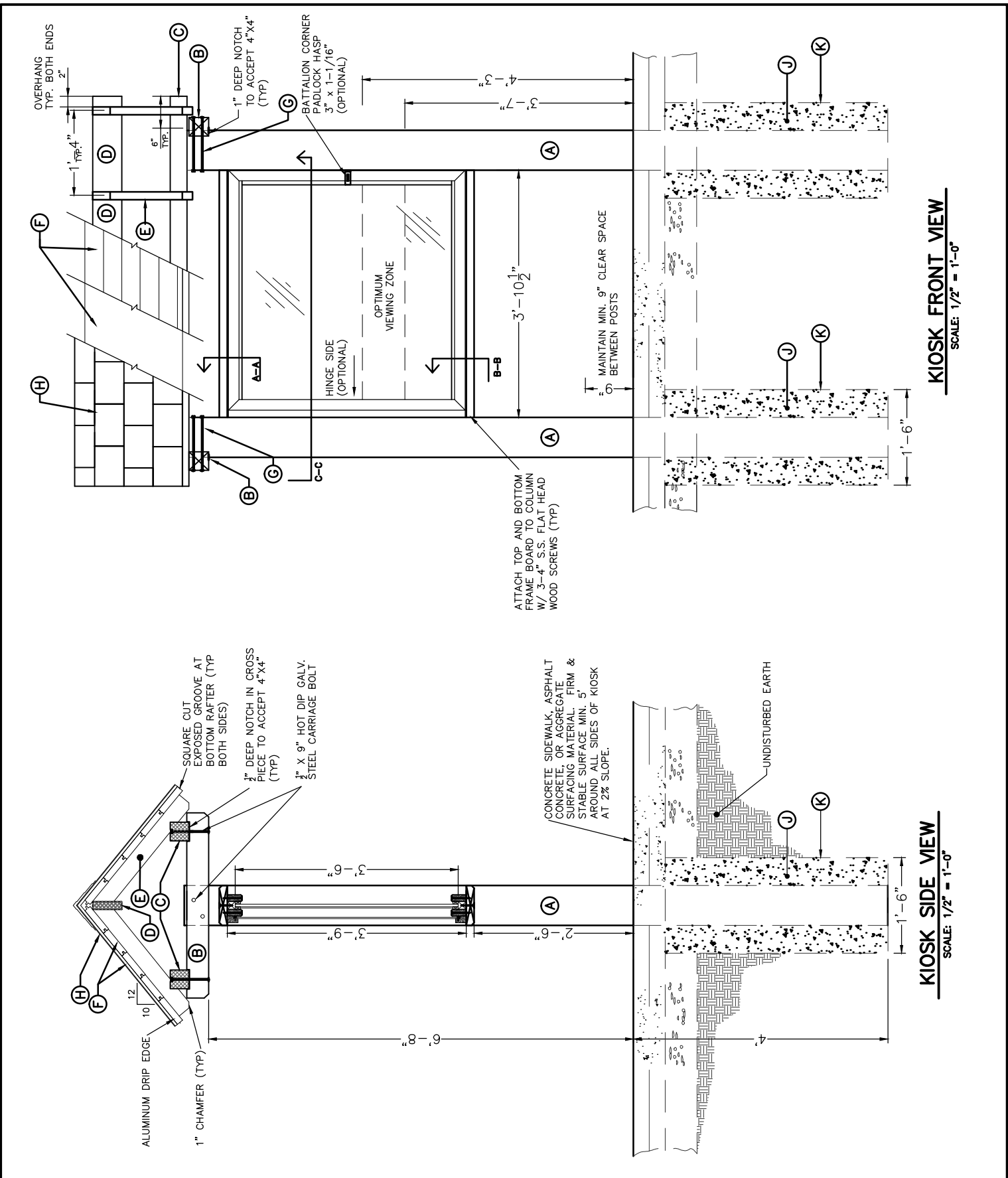
PROJECT DESCRIPTION  
DEC STANDARD ACCESSIBLE  
DESIGNS FOR OUTDOOR  
RECREATIONAL FACILITIES  
**TIMBER CRIB FISHING PIER/  
OBSERVATION DECK**

REVISIONS			DESIGNED BY
NO.	DATE	DESCRIPTION	
			CHECKED BY
			DRAWN BY
		AS BUILT	



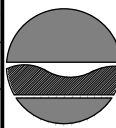
STATE OF NEW YORK  
DEPARTMENT OF ENVIRONMENTAL CONSERVATION  
DIVISION OF OPERATIONS  
BUREAU OF DESIGN & CONSTRUCTION





**KIOSK FRONT VIEW**  
SCALE: 1/2" = 1'-0"

**KIOSK SIDE VIEW**  
SCALE: 1/2" = 1'-0"

DRAWING NO. <b>31</b> <b>A</b>	ENGINEER AS NOTED 2015	SCALE AS NOTED	DATE 2015	PROJECT NO.	FACILITY NO.	FACILITY NAME	PROJECT DESCRIPTION			REVISIONS			DESIGNED	BY	CHECKED	BY	DRAWN	BY		STATE OF NEW YORK DEPARTMENT OF ENVIRONMENTAL CONSERVATION DIVISION OF OPERATIONS BUREAU OF DESIGN & CONSTRUCTION
							DEC STANDARD ACCESSIBLE DESIGNS FOR OUTDOOR RECREATIONAL FACILITIES KIOSK A - 4' SINGLE FRONT & SIDE VIEWS			NO.	DATE	DESCRIPTION								

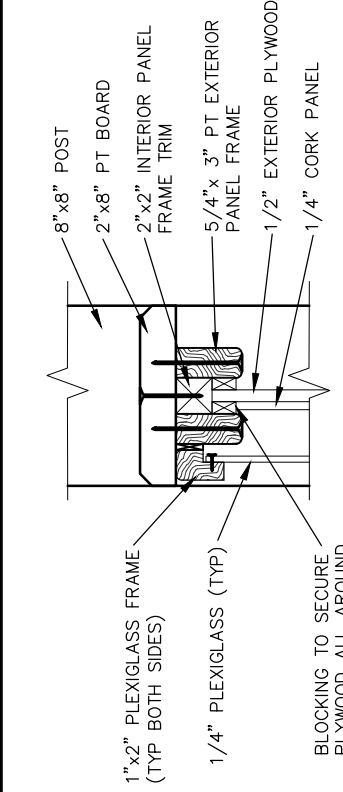
DRAWING NO. 32 A  
 SCALE AS NOTED  
 DATE 2015  
 PROJECT NO.  
 FACILITY NO.  
 FACILITY NAME

PROJECT DESCRIPTION  
 DEC STANDARD ACCESSIBLE  
 DESIGNS FOR OUTDOOR  
 RECREATIONAL FACILITIES  
 KIOSK A - 4' SINGLE  
 DETAILS

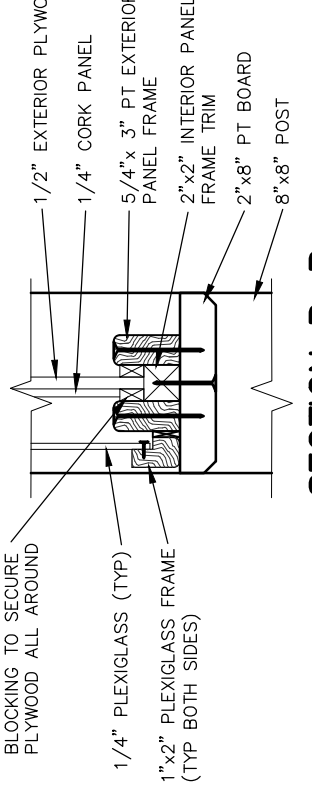
REVISIONS			
NO.	DATE	DESCRIPTION	BY
		AS BUILT	

DESIGNED BY  
 CHECKED BY  
 DRAWN BY

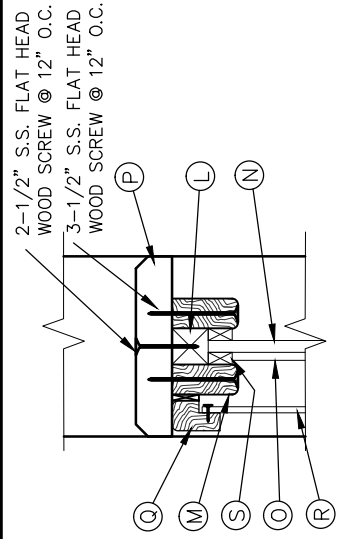
STATE OF NEW YORK  
 DEPARTMENT OF ENVIRONMENTAL CONSERVATION  
 DIVISION OF OPERATIONS  
 BUREAU OF DESIGN & CONSTRUCTION



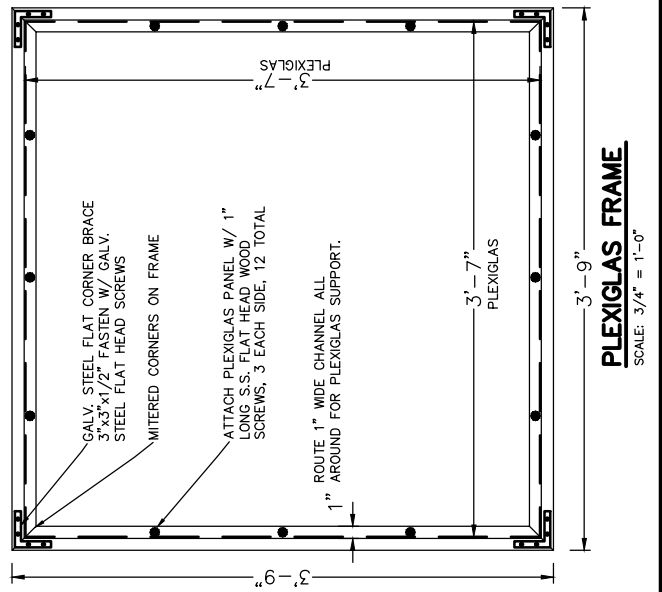
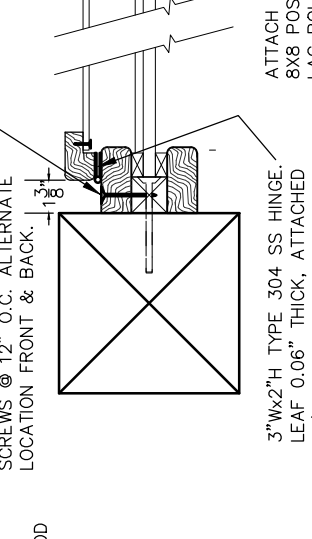
**SECTION A-A**  
 SCALE: 1-1/2" = 1'-0"



**SECTION B-B**  
 SCALE: 1-1/2" = 1'-0"



**SECTION C-C**  
 SCALE: 1-1/2" = 1'-0"



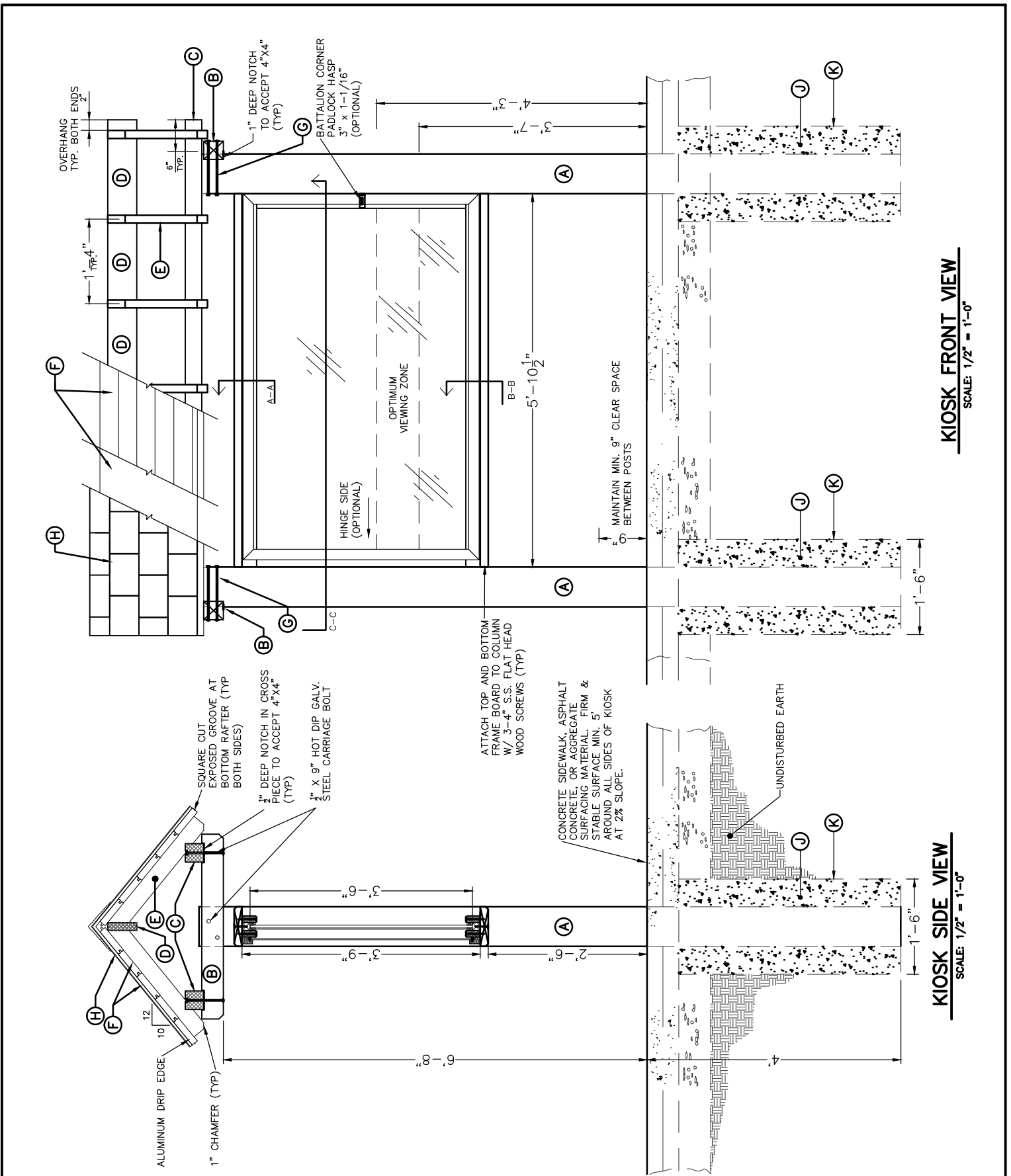
**PLEXIGLAS FRAME**  
 SCALE: 3/4" = 1'-0"

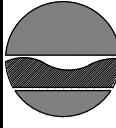








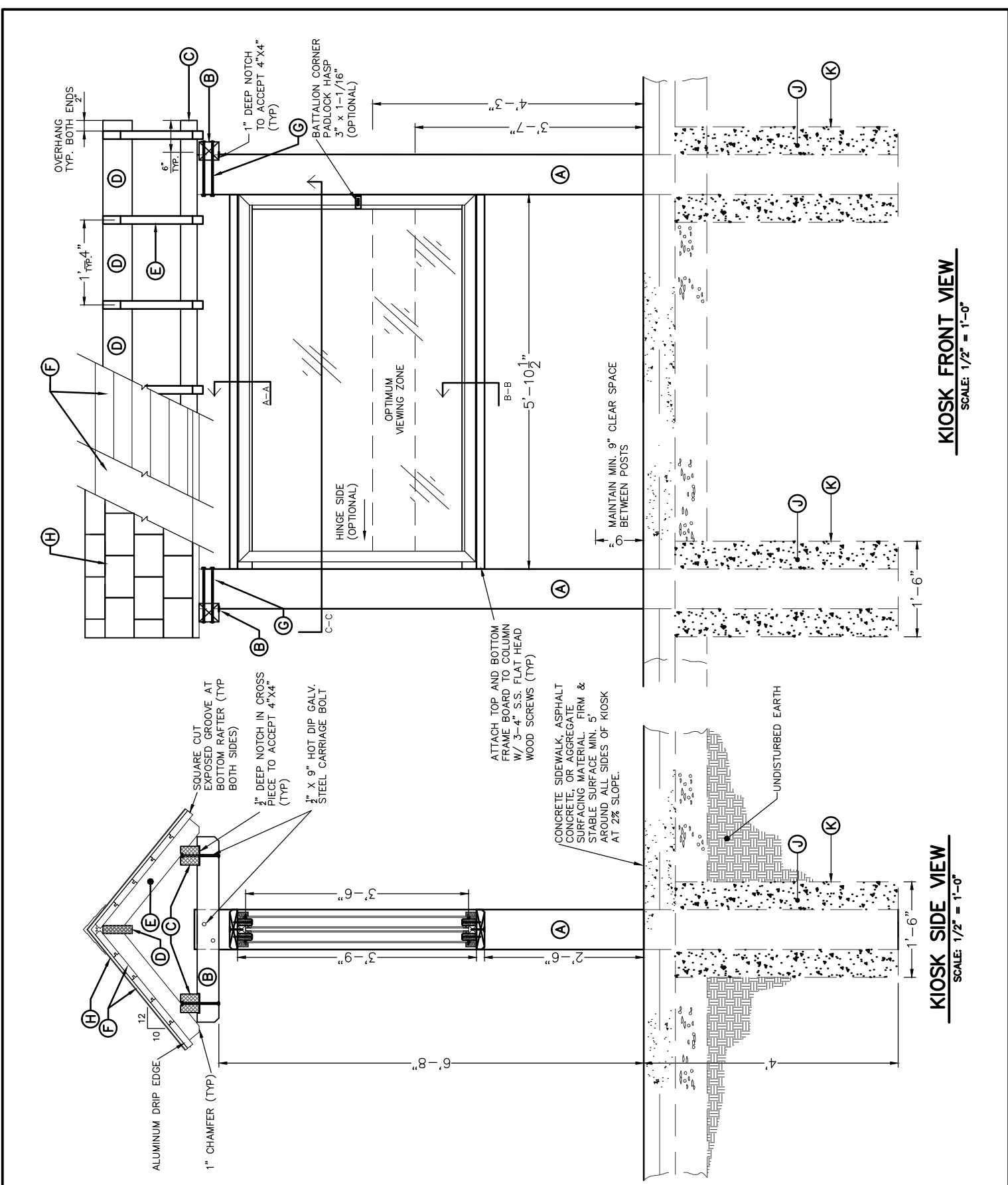


DRAWING NO. <b>31</b> <b>C</b>	FACILITY NAME DEC STANDARD ACCESSIBLE DESIGNS FOR OUTDOOR RECREATIONAL FACILITIES <b>KIOSK C - 6' SINGLE          FRONT &amp; SIDE VIEWS</b>	REVISIONS			DESIGNED BY _____ CHECKED BY _____ DRAWN BY _____		STATE OF NEW YORK DEPARTMENT OF ENVIRONMENTAL CONSERVATION DIVISION OF OPERATIONS BUREAU OF DESIGN & CONSTRUCTION
	PROJECT NO. _____ DATE 2015	NO. DATE DESCRIPTION BY	AS BUILT				
	FACILITY NO. _____	_____	_____				
	SCALE AS NOTED	_____	_____				
	PROJECT NO. _____	_____	_____				
	DATE 2015	_____	_____				



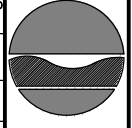






**KIOSK FRONT VIEW**  
SCALE: 1/2" = 1'-0"

**KIOSK SIDE VIEW**  
SCALE: 1/2" = 1'-0"

DRAWING NO. <b>D 31</b>	SCALE AS NOTED	DATE 2015	PROJECT NO. 2015	FACILITY NO. 2015	FACILITY NAME 2015	<b>PROJECT DESCRIPTION</b> DEC STANDARD ACCESSIBLE DESIGNS FOR OUTDOOR RECREATIONAL FACILITIES <b>KIOSK D - 6' DOUBLE          FRONT &amp; SIDE VIEWS</b>			<b>REVISIONS</b>			DESIGNED BY _____ CHECKED BY _____ DRAWN BY _____		STATE OF NEW YORK DEPARTMENT OF ENVIRONMENTAL CONSERVATION DIVISION OF OPERATIONS BUREAU OF DESIGN & CONSTRUCTION
						NO. DATE _____ _____ _____ _____ _____ AS BUILT	DESCRIPTION _____ _____ _____ _____ _____	BY _____ _____ _____ _____ _____						





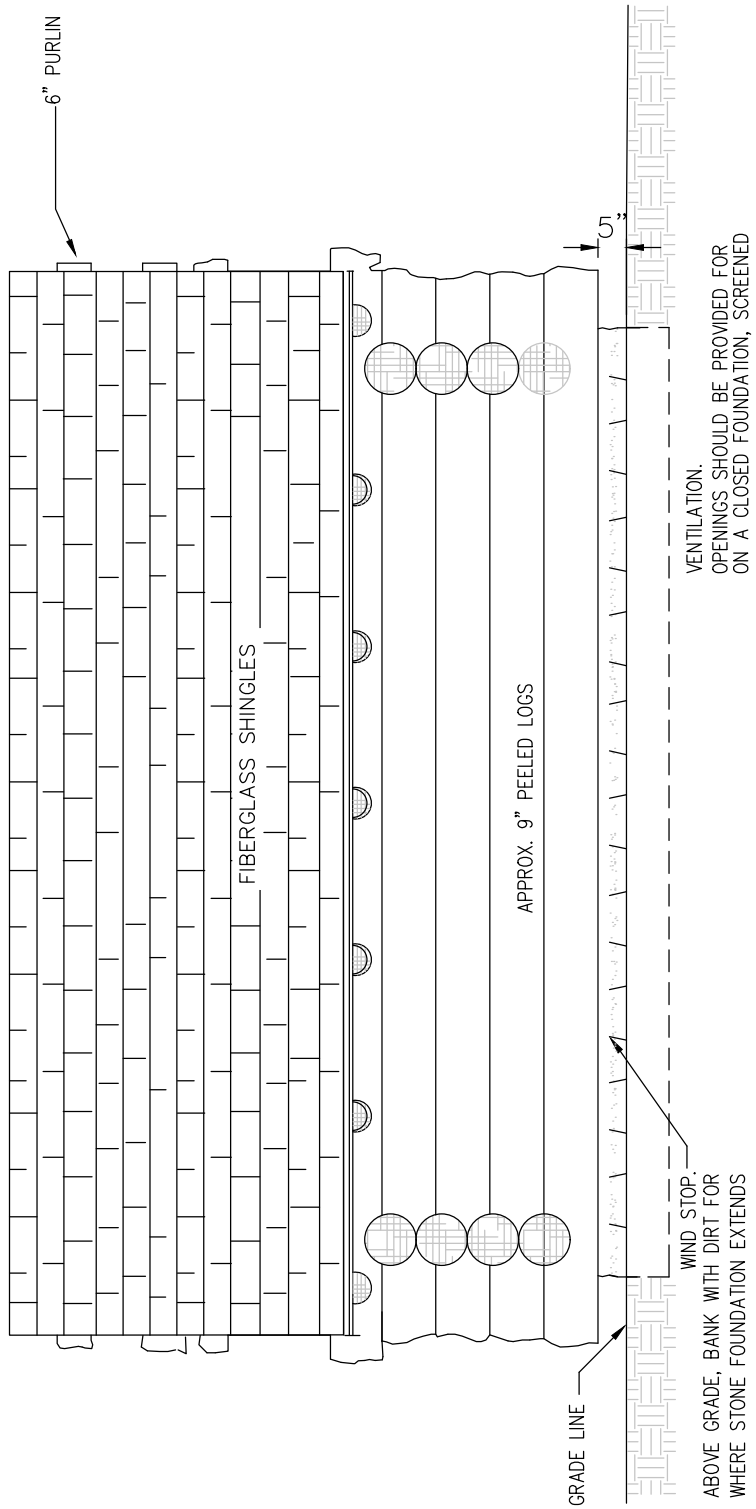












REAR ELEVATION

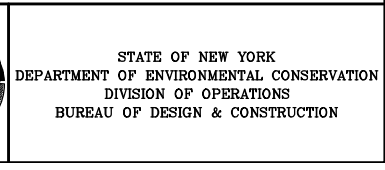
PROJECT NAME XXXXXXXXXXXXXXXXXXXX
FACILITY NO. XXXX
PROJECT NO. 67495
DATE 2014
SCALE AS NOTED
DRAWING NO. 300

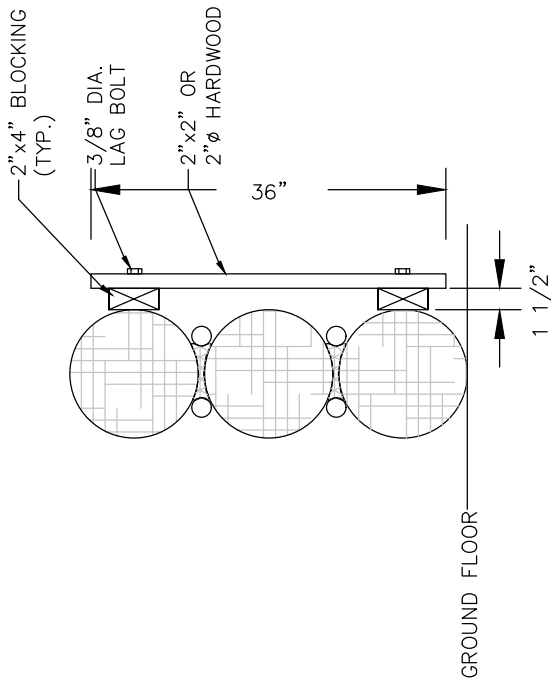
**PROJECT DESCRIPTION**

DEC STANDARD ACCESSIBLE  
DESIGNS FOR OUTDOOR  
RECREATIONAL FACILITIES  
LEAN-TO  
REAR ELEVATION

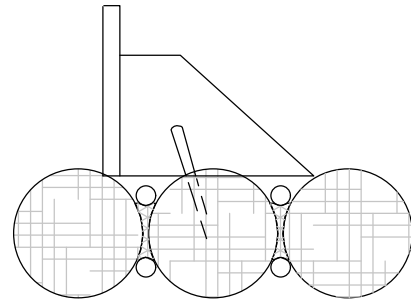
REVISIONS		
NO.	DATE	DESCRIPTION
		AS BUILT

DESIGNED	BY _____
CHECKED	BY _____
DRAWN	BY _____

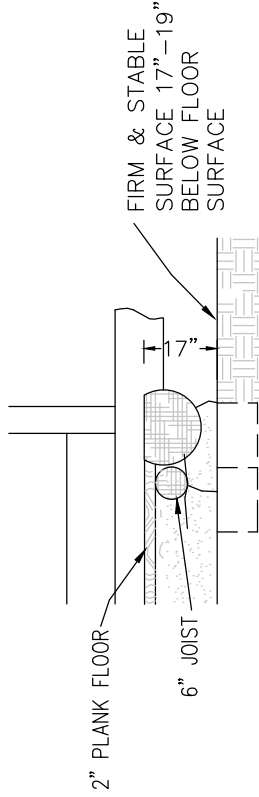




**DOWEL GRAB BAR DETAIL**

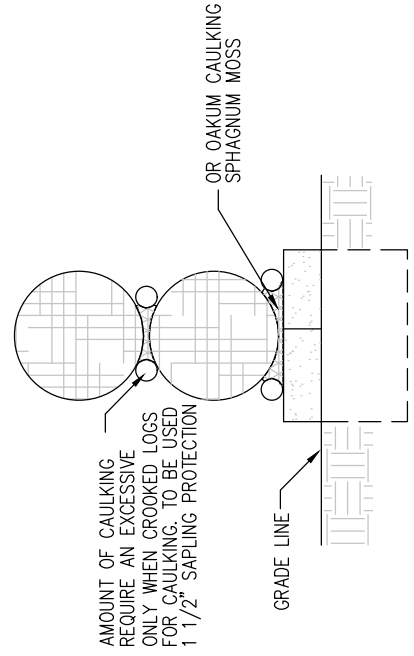


TOP LOG,  
SPACED ALONG BACK  
SHELF, 10 EQUALLY  
EACH SIDE BELOW  
HARDWOOD PEGS, 5  
20-3/4 DIA. X 6"



**SECTION A-A**

SITE MAKES USE PRACTICAL,  
USED WHERE ACCESSIBILITY OF  
4" X 6" SAWED TIMBERS MAY BE  
FLOOR JOIST:



DRAWING NO.	39
SCALE	AS NOTED
DATE	2014
PROJECT NO.	67495
FACILITY NO.	XXXX
FACILITY NAME	XXXXXXXXXXXXXXXXXXXX

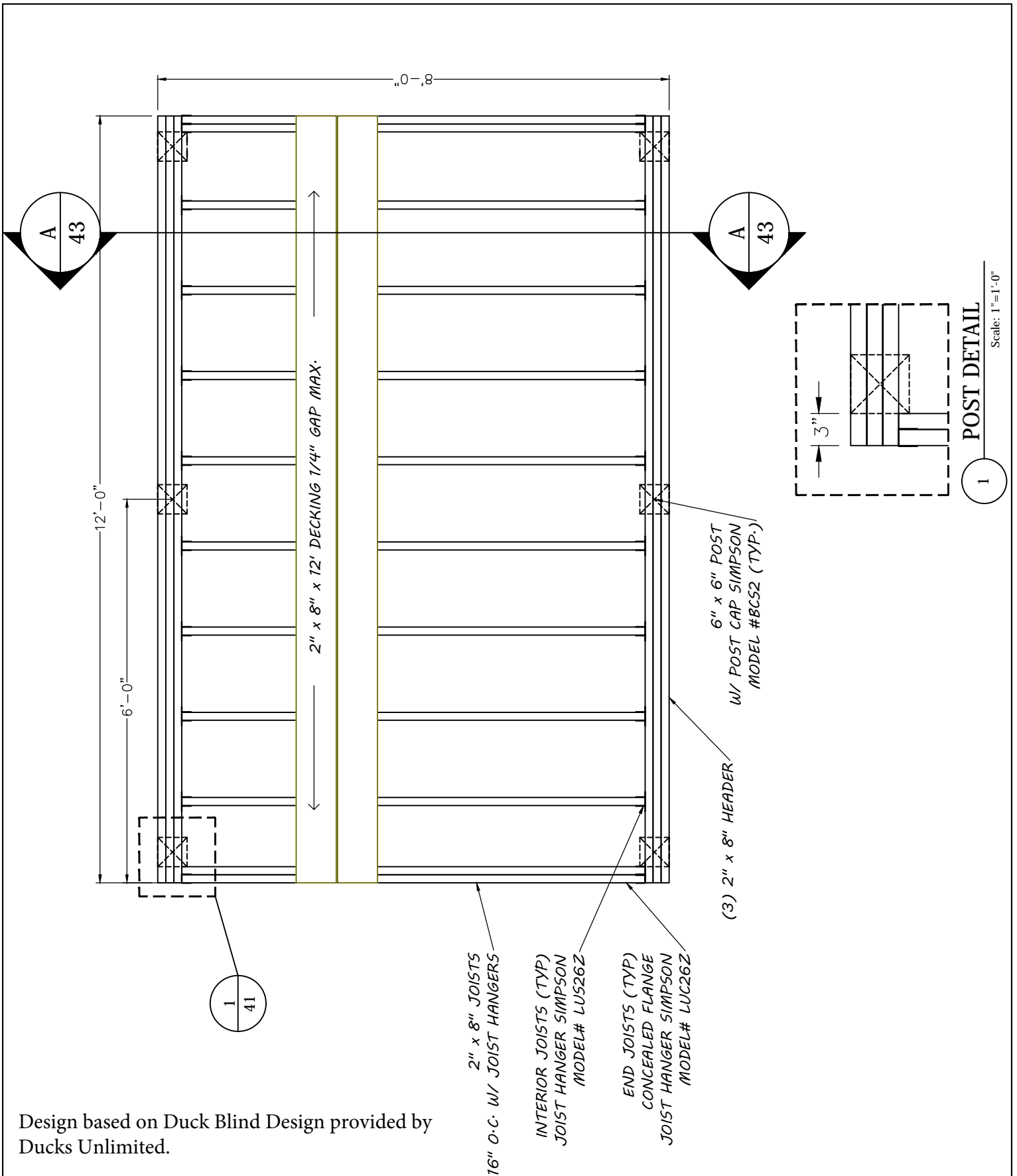
PROJECT DESCRIPTION		
NO.	DATE	DESCRIPTION
DEC STANDARD ACCESSIBLE DESIGNS FOR OUTDOOR RECREATIONAL FACILITIES LEAN-TO DETAILS		
		AS BUILT

REVISIONS		
NO.	DATE	DESCRIPTION

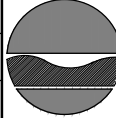
DESIGNED	BY	
CHECKED	BY	
DRAWN	BY	

STATE OF NEW YORK  
DEPARTMENT OF ENVIRONMENTAL CONSERVATION  
DIVISION OF OPERATIONS  
BUREAU OF DESIGN & CONSTRUCTION

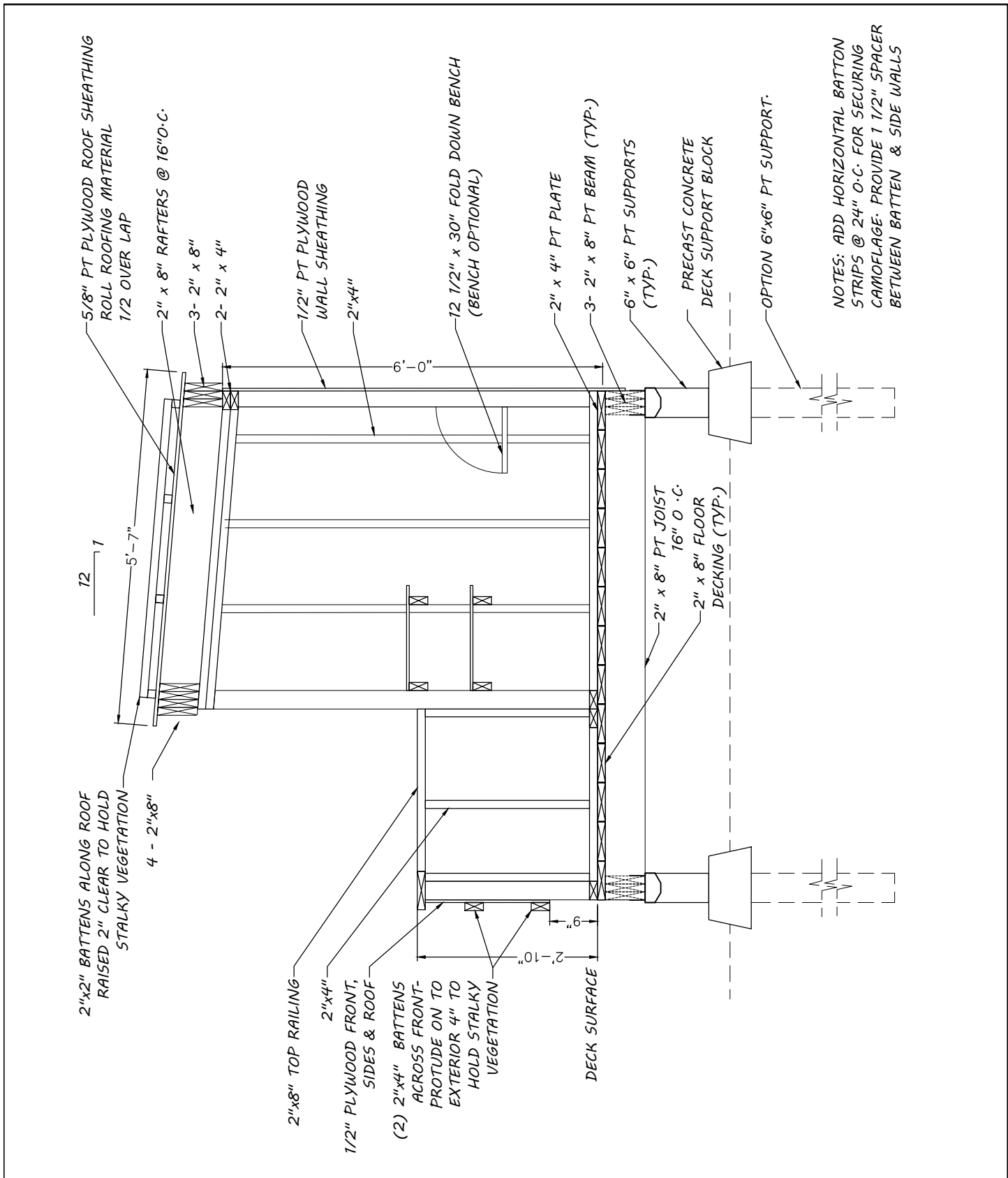




Design based on Duck Blind Design provided by Ducks Unlimited.

DRAWING NO. <b>41</b>	SCALE 1/2"=1'-0"	DATE 2014	PROJECT NO. 67495	FACILITY NO. XXXX	FACILITY NAME XXXXXXXXXXXXXXXXXXXX XXXXXXXXXXXXXXXXXXXX XXXXXXXXXXXXXXXXXXXX	PROJECT DESCRIPTION			REVISIONS			DESIGNED BY _____	CHECKED BY _____	DRAWN BY _____		STATE OF NEW YORK DEPARTMENT OF ENVIRONMENTAL CONSERVATION DIVISION OF OPERATIONS BUREAU OF DESIGN & CONSTRUCTION
						DEC STANDARD ACCESSIBLE DESIGNS FOR OUTDOOR RECREATIONAL FACILITIES <b>DUCK BLIND FLOOR FRAMING PLAN</b>			NO.	DATE	DESCRIPTION					





NOTES: ADD HORIZONTAL BATTEN STRIPS @ 24" O.C. FOR SECURING CAMOFLAG. PROVIDE 1/2" SPACER BETWEEN BATTEN & SIDE WALLS

5/8" PT PLYWOOD ROOF SHEATHING  
ROLL ROOFING MATERIAL  
1/2 OVER LAP

2" x 8" RAFTERS @ 16" O.C.

3- 2" x 8"

2- 2" x 4"

1/2" PT PLYWOOD  
WALL SHEATHING

2"x4"

12 1/2" x 30" FOLD DOWN BENCH  
(BENCH OPTIONAL)

2" x 4" PT PLATE

3- 2" x 8" PT BEAM (TYP.)

6" x 6" PT SUPPORTS  
(TYP.)

PRECAST CONCRETE  
DECK SUPPORT BLOCK

OPTION 6"x6" PT SUPPORT.

2"x2" BATTENS ALONG ROOF  
RAISED 2" CLEAR TO HOLD  
STALKY VEGETATION

4 - 2"x8"

2"x8" TOP RAILING

2"x4" PLYWOOD FRONT,  
SIDES & ROOF

(2) 2"x4" BATTENS  
ACROSS FRONT-  
PROTRUDE ON TO  
EXTERIOR 4" TO  
HOLD STALKY  
VEGETATION

2'-10"

DECK SURFACE

2" x 8" PT JOIST  
16" O.C.

2" x 8" FLOOR  
DECKING (TYP.)

6"

12

5'-7"

6'-0"

6"

6"

6"

6"

6"

6"

6"

6"

6"

6"

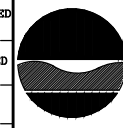
6"

6"

6"

6"

DRAWING NO. 43	PROJECT NAME XXXXXXXXXXXXXXXXXXXX	PROJECT DESCRIPTION			DESIGNED BY	CHECKED BY	DRAWN BY
		DEC STANDARD ACCESSIBLE DESIGNS FOR OUTDOOR RECREATIONAL FACILITIES DUCK BLIND SECTION A-A					
SCALE 1/2"=1'-0"	DATE 2014	PROJECT NO. 67495	FACILITY NO. XXXX	NO.	DATE	DESCRIPTION	BY
						AS BUILT	

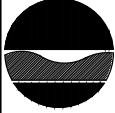


STATE OF NEW YORK  
DEPARTMENT OF ENVIRONMENTAL CONSERVATION  
DIVISION OF OPERATIONS  
BUREAU OF DESIGN & CONSTRUCTION

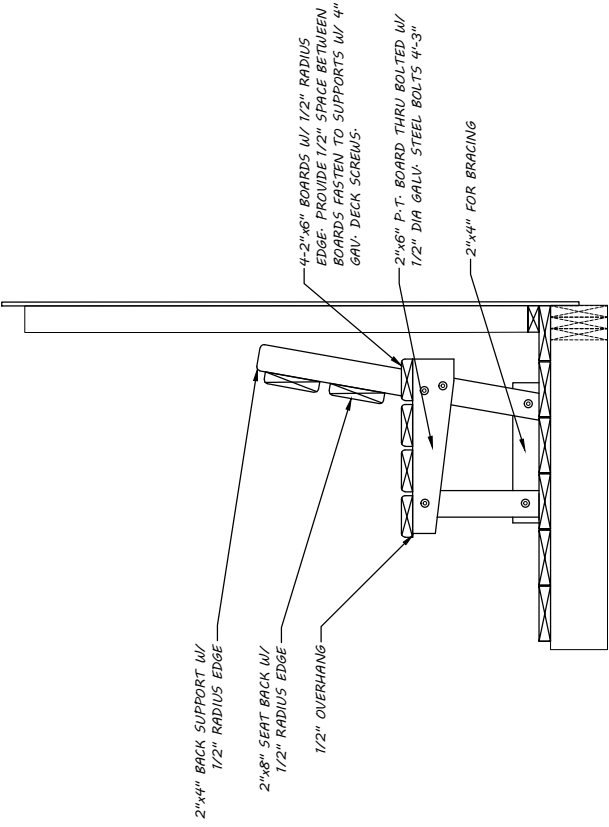
DRAWING NO. **44**  
 SCALE AS NOTED  
 DATE 2014  
 PROJECT NO. 67495  
 FACILITY NO. XXXX  
 PROJECT NAME  
 XXXXXXXXXXXXXXXXXXXX  
 XXXXXXXXXXXXXXXXXXXX  
 XXXXXXXXXXXXXXXXXXXX

**PROJECT DESCRIPTION**  
 DEC STANDARD ACCESSIBLE  
 DESIGNS FOR OUTDOOR  
 RECREATIONAL FACILITIES  
**DUCK BLIND  
 DETAILS**

REVISIONS		
NO.	DATE	DESCRIPTION

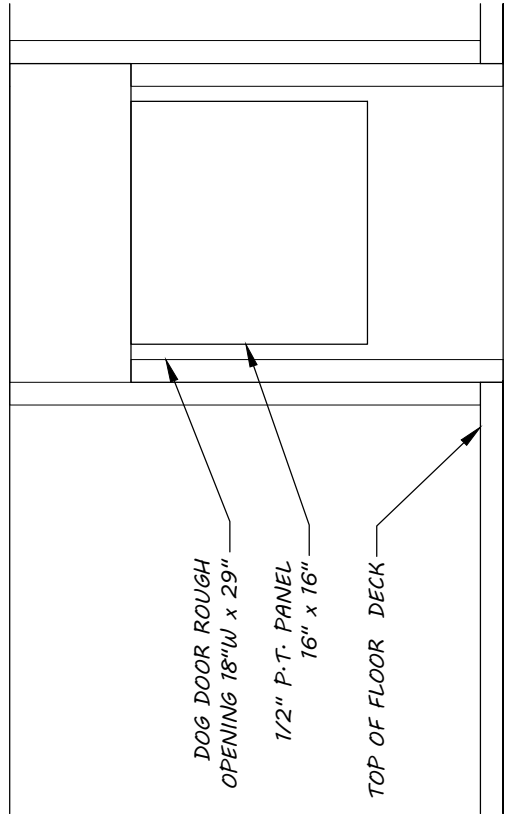
DESIGNED BY \_\_\_\_\_  
 CHECKED BY \_\_\_\_\_  
 DRAWN BY \_\_\_\_\_  


STATE OF NEW YORK  
 DEPARTMENT OF ENVIRONMENTAL CONSERVATION  
 DIVISION OF OPERATIONS  
 BUREAU OF DESIGN & CONSTRUCTION



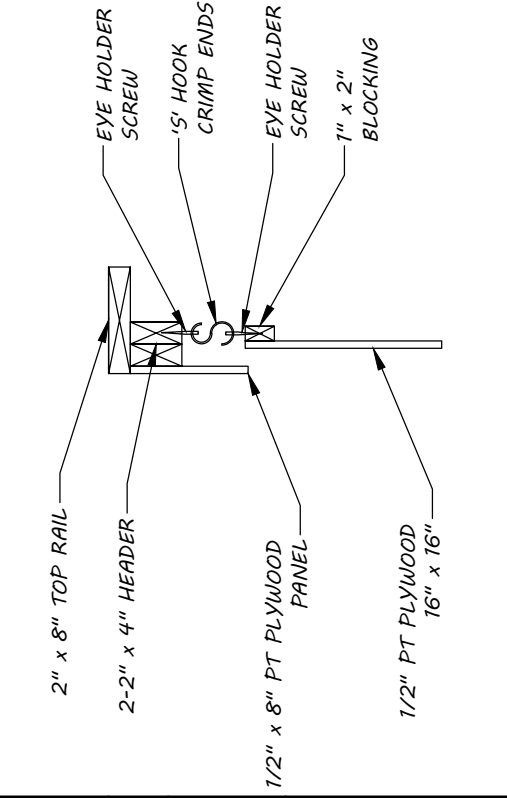
**OPTIONAL FIXED BENCH DETAIL**  
 Scale: 3/4" = 1'-0"

3



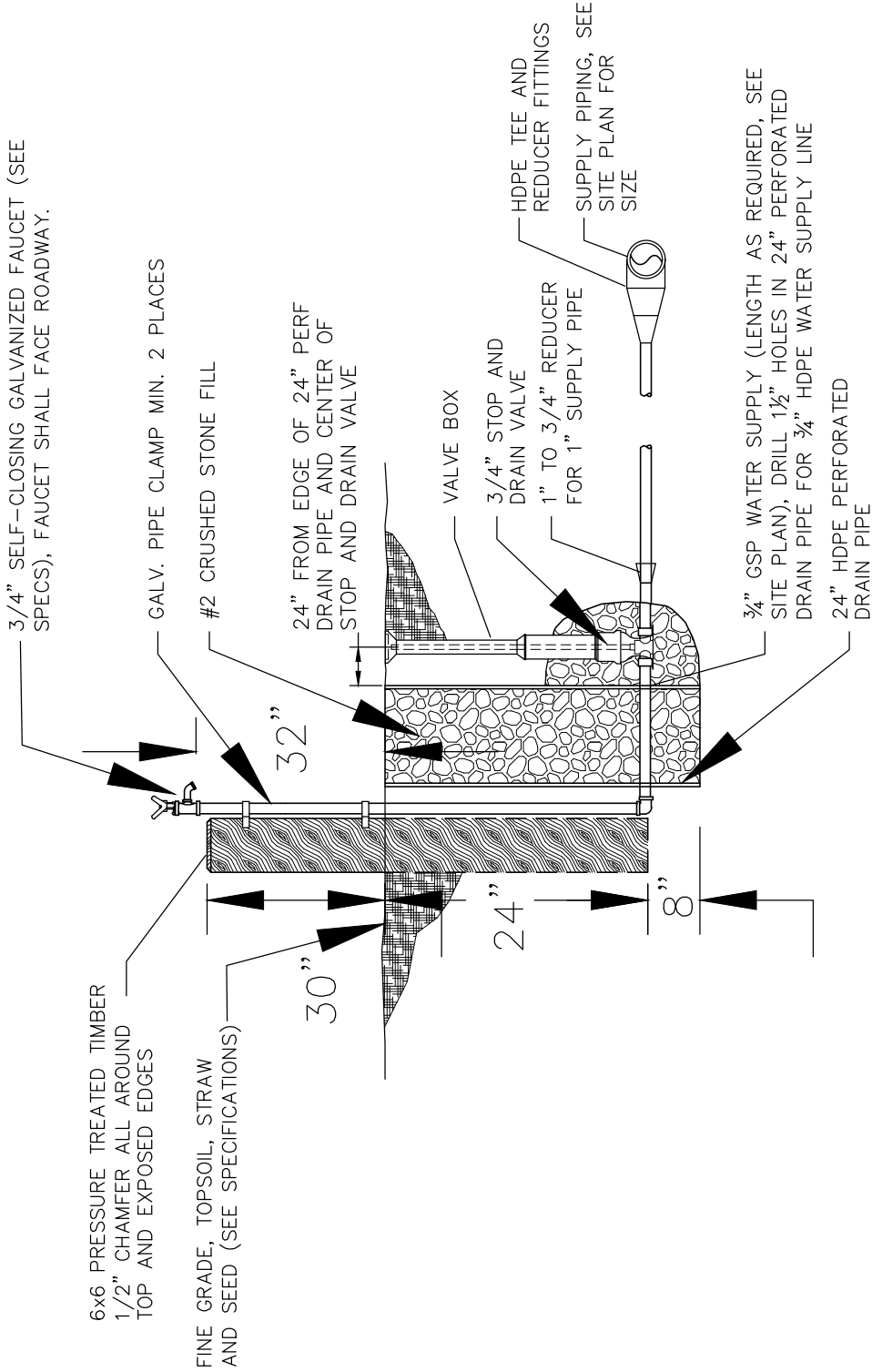
**DOG DOOR SECTION**  
 Scale: 1" = 1'-0"

2



**DOG DOOR DETAIL**  
 Scale: 1" = 1'-0"

1



**SECTION**  
SCALE: AS NOTED

**WATER STAND**

**45**

DRAWING NO.
SCALE
DATE
PROJECT NO.
FACILITY NO.
XXXXXXXXXXXXXXXXXXXX
XXXXXXXXXXXXXXXXXXXX
XXXXXXXXXXXXXXXXXXXX
XXXXXXXXXXXXXXXXXXXX

**PROJECT DESCRIPTION**

DEC STANDARD ACCESSIBLE  
DESIGNS FOR OUTDOOR  
RECREATIONAL FACILITIES

**WATER STAND**

REVISIONS		
NO.	DATE	DESCRIPTION

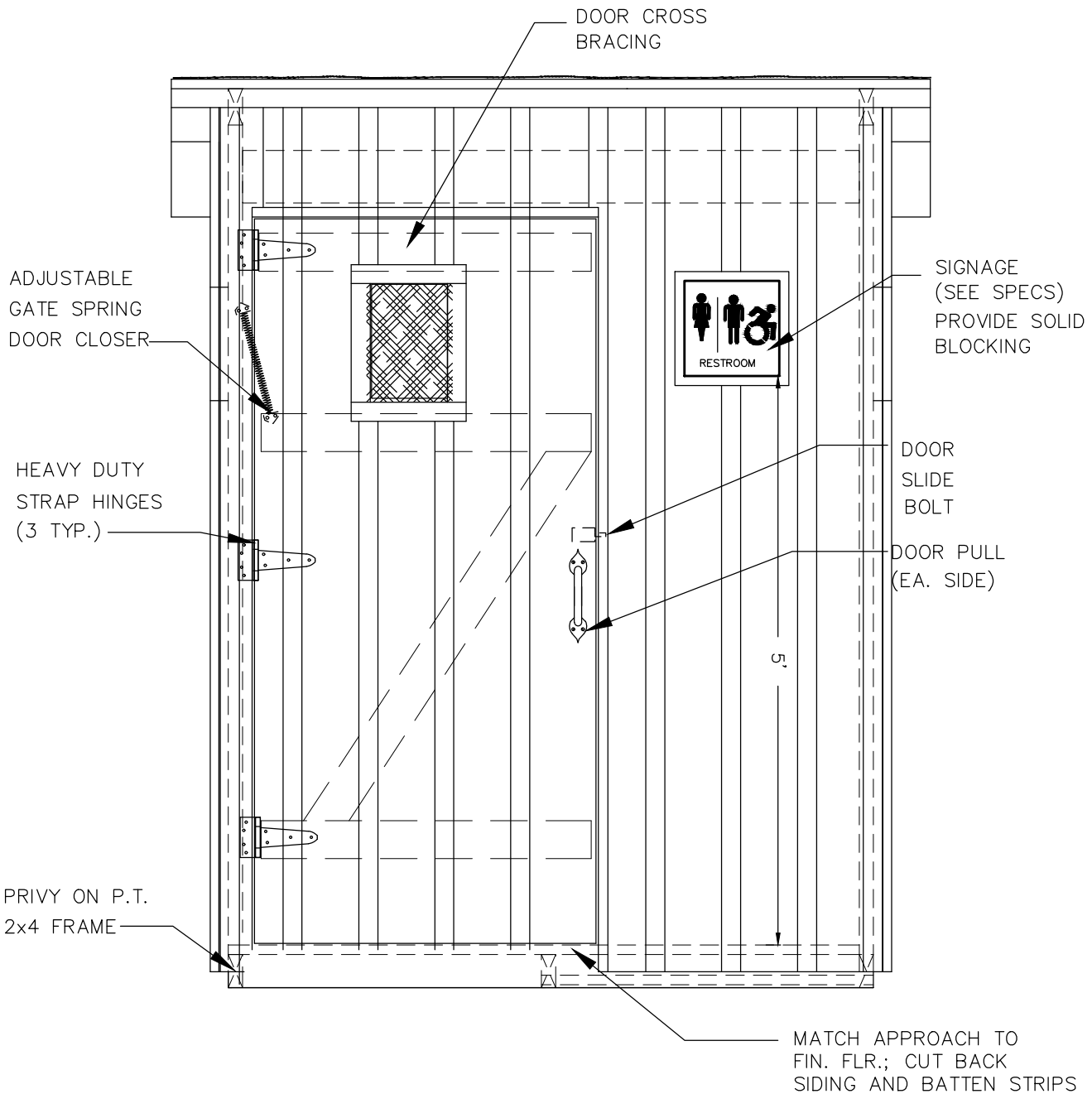
AS BUILT

DESIGNED	BY
CHECKED	BY
DRAWN	BY

STATE OF NEW YORK  
DEPARTMENT OF ENVIRONMENTAL CONSERVATION  
DIVISION OF OPERATIONS  
BUREAU OF DESIGN & CONSTRUCTION



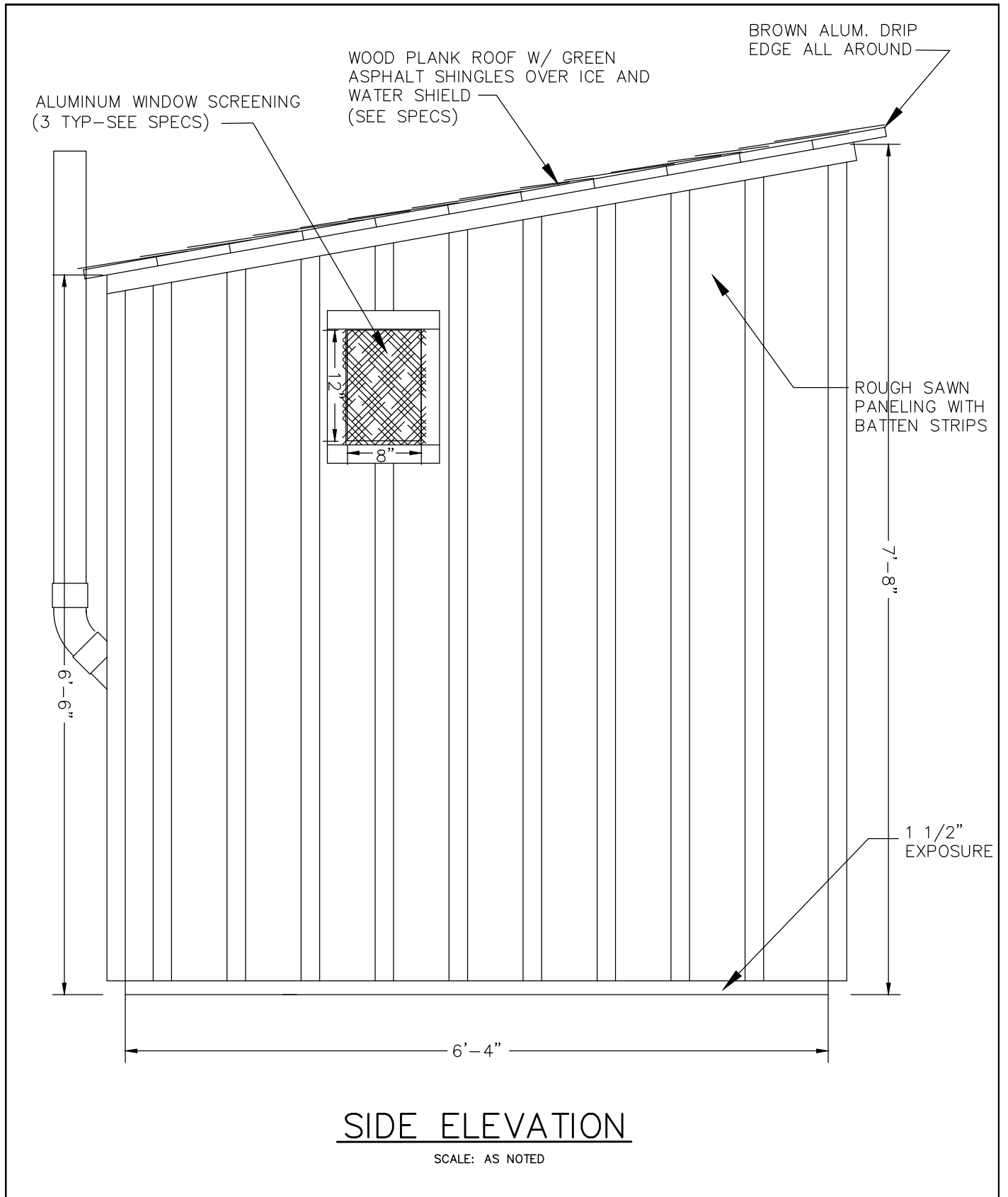




# FRONT ELEVATION

SCALE: AS NOTED

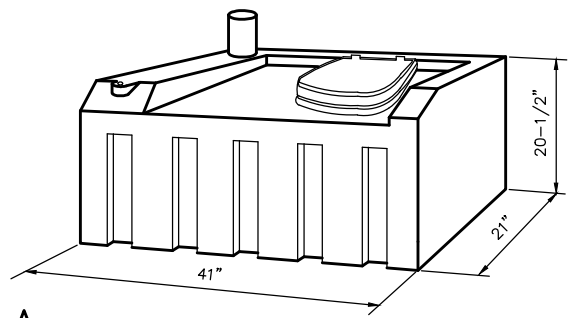
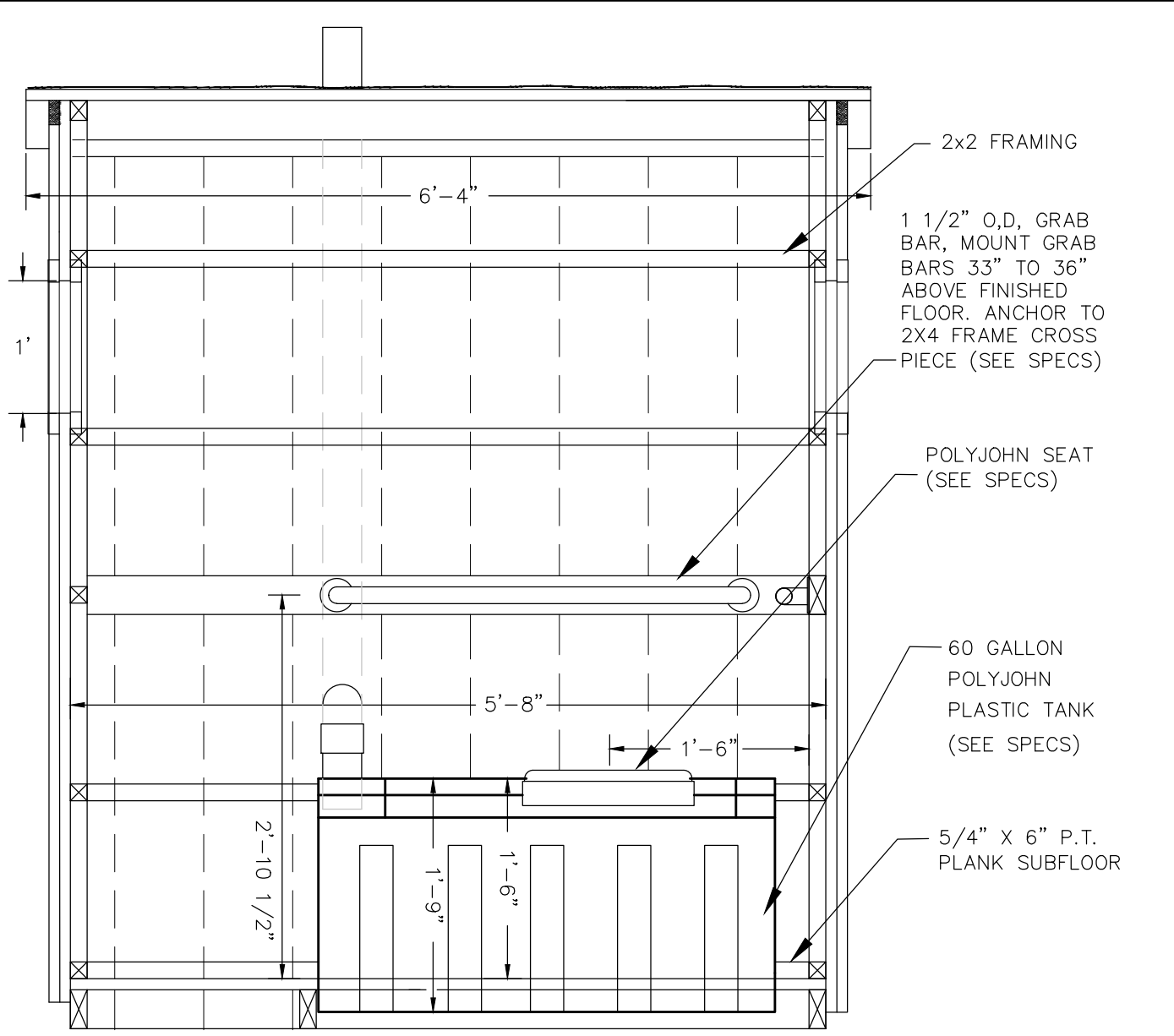
DRAWING NO. <b>47</b>	SCALE AS NOTED	DATE 2014	PROJECT NO. 67495	FACILITY NO. XXXX	FACILITY NAME XXXXXXXXXXXXXXXXXXXX XXXXXXXXXXXXXXXXXXXX XXXXXXXXXXXXXXXXXXXX	<b>PROJECT DESCRIPTION</b>	<b>REVISIONS</b>	<b>DESIGNED</b>		<b>STATE OF NEW YORK</b> <b>DEPARTMENT OF ENVIRONMENTAL CONSERVATION</b> <b>DIVISION OF OPERATIONS</b> <b>BUREAU OF DESIGN &amp; CONSTRUCTION</b>
						DEC STANDARD ACCESSIBLE DESIGNS FOR OUTDOOR RECREATIONAL FACILITIES	NO. DATE DESCRIPTION BY	BY _		
						<b>PORTA VAULT</b>	AS BUILT	CHECKED BY _		
								DRAWN BY _		



# SIDE ELEVATION

SCALE: AS NOTED


DRAWING NO.  <b>48</b>	SCALE AS NOTED	DATE 2014	PROJECT NO. 674935	FACILITY NO. XXXX	PROJECT NAME XXXXXXXXXXXXXXXXXXXX XXXXXXXXXXXXXXXXXXXX XXXXXXXXXXXXXXXXXXXX	<b>PROJECT DESCRIPTION</b> DEC STANDARD ACCESSIBLE DESIGNS FOR OUTDOOR RECREATIONAL FACILITIES <b>PORTA VAULT</b>	<b>REVISIONS</b>	<b>DESIGNED</b> BY _		STATE OF NEW YORK DEPARTMENT OF ENVIRONMENTAL CONSERVATION DIVISION OF OPERATIONS BUREAU OF DESIGN & CONSTRUCTION																							
						<table border="1" style="width: 100%; border-collapse: collapse;"> <thead> <tr> <th style="width: 10%;">NO.</th> <th style="width: 40%;">DATE</th> <th style="width: 40%;">DESCRIPTION</th> <th style="width: 10%;">BY</th> </tr> </thead> <tbody> <tr> <td> </td> <td> </td> <td> </td> <td> </td> </tr> <tr> <td> </td> <td> </td> <td> </td> <td> </td> </tr> <tr> <td> </td> <td> </td> <td> </td> <td> </td> </tr> <tr> <td> </td> <td> </td> <td> </td> <td> </td> </tr> <tr> <td> </td> <td> </td> <td> </td> <td> </td> </tr> </tbody> </table>	NO.	DATE			DESCRIPTION	BY																					<b>CHECKED</b> BY _
						NO.	DATE	DESCRIPTION			BY																						
AS BUILT	<b>DRAWN</b> BY _																																

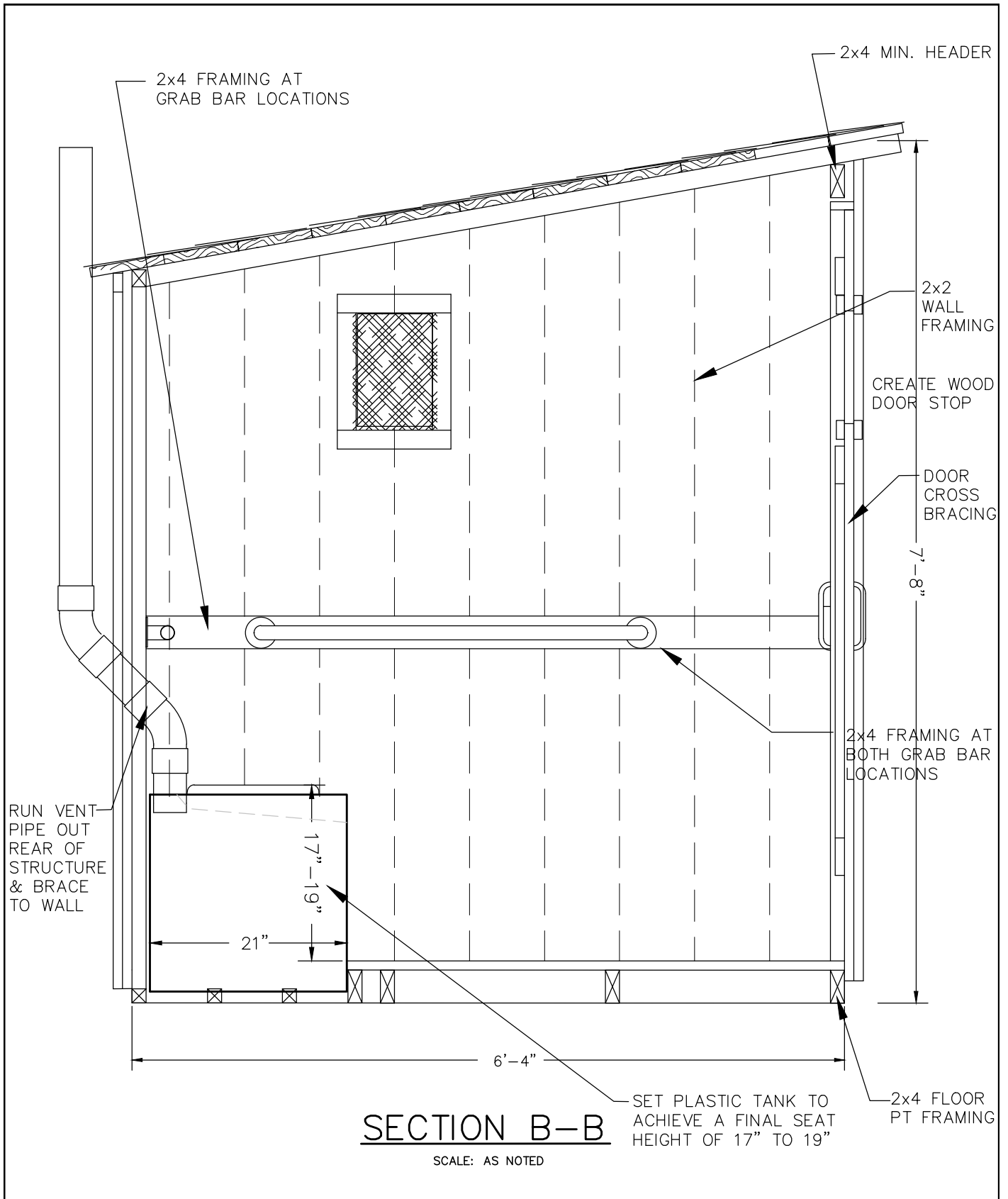



**SECTION A-A**

SCALE: AS NOTED

PLASTIC TANK (NTS)

DRAWING NO. 49	SCALE AS NOTED	DATE 2014	PROJECT NO. 67495	FACILITY NO. XXXX	PROJECT TITLE XXXXXXXXXXXXXXXXXXXX XXXXXXXXXXXXXXXXXXXX XXXXXXXXXXXXXXXXXXXX	PROJECT DESCRIPTION				STATE OF NEW YORK DEPARTMENT OF ENVIRONMENTAL CONSERVATION DIVISION OF OPERATIONS BUREAU OF DESIGN & CONSTRUCTION
						DEC STANDARD ACCESSIBLE DESIGNS FOR OUTDOOR RECREATIONAL FACILITIES				
						PORTA VAULT				
						NO. DATE DESCRIPTION BY				
						AS BUILT				



DRAWING NO. <b>50</b>	SCALE AS NOTED	DATE 2014	PROJECT NO. 67495	FACILITY NO. XXXX	PROJECT NAME XXXXXXXXXXXXXXXXXXXX XXXXXXXXXXXXXXXXXXXX XXXXXXXXXXXXXXXXXXXX	PROJECT DESCRIPTION			REVISIONS			DESIGNED BY _____	CHECKED BY _____	DRAWN BY _____	 STATE OF NEW YORK DEPARTMENT OF ENVIRONMENTAL CONSERVATION DIVISION OF OPERATIONS BUREAU OF DESIGN & CONSTRUCTION			
						DEC STANDARD ACCESSIBLE DESIGNS FOR OUTDOOR RECREATIONAL FACILITIES			NO.	DATE	DESCRIPTION					BY		
						PORTA VAULT												
						AS BUILT												

## **CATALOG CUTS**



# VICTOR STANLEY™

*Create a timeless moment.™*



## MODEL 8

With its clean lines and sturdy construction, it is easy to understand the popularity of this contoured bench.

4, 6 or 8 ft (1.2, 1.8 or 2.4 m) lengths. Eight nominal 2x4 (38x89 mm) slats. Specify in-ground or surface mount.

### OPTIONS

Wood slat seating. Maple, cherry, walnut or gray 2nd Site Systems® recycled slats. Recycled slats for 8 ft (2.4 m) lengths include center leg. Gull-wing mount. Steel armrests with wood trim.\*\*\*

### STANDARD

All fabricated metal components are steel shotblasted, etched, phosphatized, preheated and electrostatically powder-coated with TGIC polyester powder coatings.

\*\*\*NOTE: SEE GUIDEBOOK SPEC 02871 PARK BENCH. ARMREST ON ANY BENCH SHALL BE CONFIRMED TO BE ACCESSIBLE BASED ON CURRENT STANDARDS & SHALL BE ON ONE SIDE OF THE BENCH ONLY.

RECYCLED PLASTIC OR WOOD

### MATERIAL

Recycled Plastic  
Wood

### MOUNT

Gull-Wing  
In-Ground  
Surface

### COLORS

Standard Optional



RAL

## SLATS

Recycled Plastic

Wood

Copyright 2013 Victor Stanley, Inc. All rights reserved.  
1 800 368 2573 (USA + Canada) TEL 301 855 8300

Most Victor Stanley benches are ADA compliant. Member of the ASLA.  
Member of the USGBC



Site Map ....

Collect1ons

Artisan

Anthro Sites •M

City Sites™

Class

Concourse

Comdor

Cycle Sentry •M

Dynasly

Economy

Fiberpass

Framers Modern™

Geometnc

Goblet

GreenSites

Homestead

Ironsites®

Parsons

Perenne

Prairie Sites

Products

Benches

Tree Guards

Ash Urns

Bike Racks & Bolards

Letter Receptacles

Planters

Recycling Stations

Seats

Tables

About Us

General Information

Environmental

Commitment

Contact Us

Request Form

Find Your Representative

**Directions**

E News Sign-Up

Follow Us

Facebook LinkedIn

Design Resources

Product Library

Installations

My Account



**Model FS-30/18** Wheelchair Accessible Campfire Ring  
(Note: anchor pins not used in this installation)

- **Flanged firering for strength and safety**
- **Two side heights available**
- **Single level, hinged cooking grate**
- **Grate swings outside of ring when not in use for better access to the fire and an open campfire effect**
- **Public use-type spring grips of coiled steel bar**
- **Elevated cooking grate and firebed conform to ADA guidelines**
- **Required aggregate fill protects site surfaces such as paver blocks, cement, and asphalt from heat damage**
- **Quality construction throughout**
- **Utility shelf option**

## **SPECIFICATIONS:**

- **Model FS-30/18/PA** firering side height is 17-3/8" high.
  - **Model FS-30/24/PA** firering side height is 23-3/8" high.
  - 32" overall dia. firering is constructed from 3/16" thick steel with a formed (NOT WELDED) 1" flanged lip around the top of the ring and ten 1" dia. drain/draft/anchor holes located around the perimeter.
  - 290 sq. in. cooking grate is constructed from 5/8" dia. A-36 steel bars around the perimeter, 3/4" dia. A-36 steel bar for the handle, and 1/2" dia. A-36 steel bar for the grate bars.
  - Grate is attached to and hinge upon two tightly formed eyelets made from 5/8" dia. A-36 steel bar that makes a mechanically secure theft-proof attachment.
  - Grate is provided with two substantially constructed spring grips suitable for public use made from 1/8" x 1/2" flat bar (not wire springs). Unit is designed to allow reasonably easy access to the cooking grate from a wheelchair.
  - Firering is designed to be filled with customer supplied aggregate fill to a level above ground level to raise fire to proper height and protect hard surfaces from heat damage. Model FS-30/18/PA requires 9" of fill, Model FS-30/24/PA requires 14-3/8" of fill. These levels conform with ADA guidelines of a minimum of 9" of fill above ground level.
  - Unit is provided with three 1/2" dia. anchor pins for concrete embedment (indicated by /PA in model no., e.g. FS-30/18/PA).
  - Entire unit is finished in high temperature, heat resistant, nontoxic black enamel.
  - **Optional:** Firering is provided with a 3/16" x 7-1/8" x 9-5/8" steel plate utility shelf. (Add /S to model no., e.g. FS-30/18/PA/S.)
  - **Optional:** Firering is provided with a 10 ga., 8" high steel heat shield. (Add /H to model no., e.g. FS-30/18/PA/H)
- Note:** The optional utility shelf fits both firering and optional heat shield. (When ordering both options, add /H/S to model no., e.g. FS-30/18/PA/H/S.)

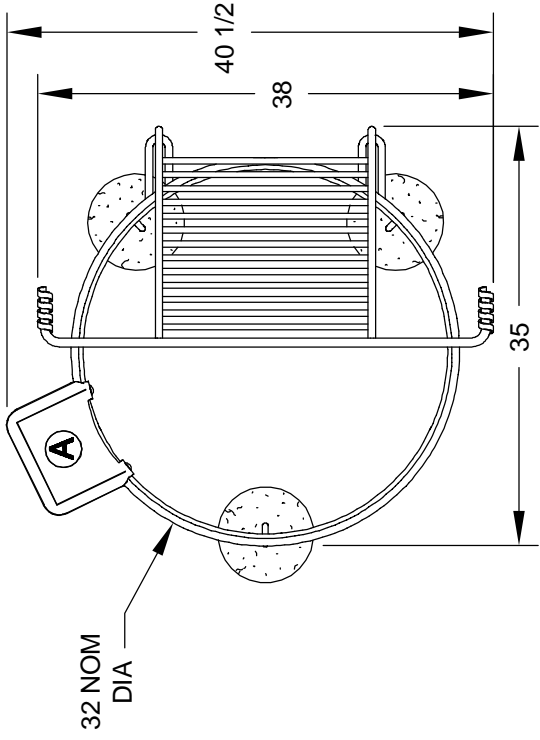
## **AVAILABLE OPTIONS**

Utility Shelf  
Heat Shield

**RJThomas Mfg. Co., Inc.**

PO Box 946 • Cherokee, IA 51012-0946 • PH: 712-225-5115 • 800-762-5002 • FAX: 712-225-5796  
E-mail: pilotrock@rjthomas.com • Web Site: <http://www.pilotrock.com>

© 2008 RJThomas Mfg. Co., Inc. PILOT ROCK® Park Products is a registered trademark of RJThomas Mfg. Co., Inc.



32 NOM  
DIA

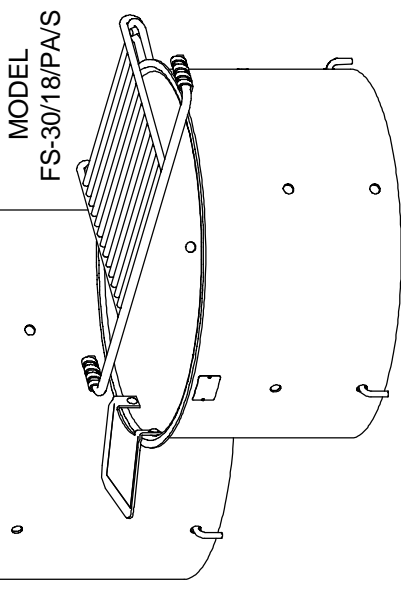
40 1/2

38

35



MODEL  
FS-30/24/PA/S

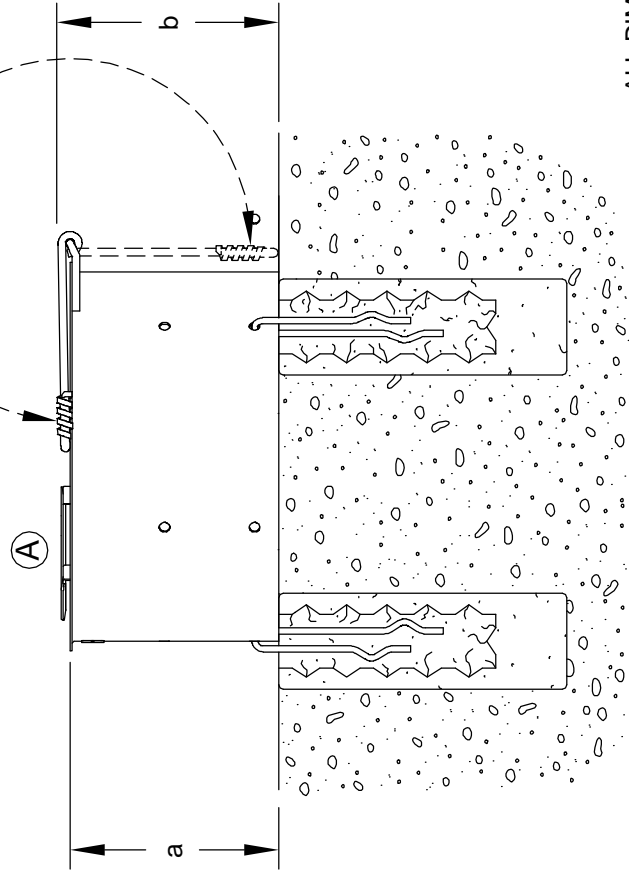


MODEL  
FS-30/18/PA/S

MODEL NUMBER	DIMENSION		
	a	b	c (min)
FS-30/18/PA	17-3/8	18	9
FS-30/24/PA	23-3/8	24	14-3/8

Ⓐ OPTIONAL UTILITY SHELF  
- ADD /S TO MODEL NUMBER

FILL TO RECOMMENDED  
HEIGHT (c) ABOVE GROUND  
LEVEL WITH COARSE  
AGGREGATE FILL  
(CONFORMS TO  
ADA GUIDELINES  
OF MIN 9" HEIGHT  
ABOVE GROUND  
FOR FIRE BASE)



8" DIA. X  
24" DEEP  
(18" MIN)  
CONCRETE  
FOOTING  
RECOMMENDED

ALL DIMENSIONS IN INCHES



*Model FSDW-30/18/TB Wheelchair Accessible Campfire Ring*

- **Flanged outer firering for strength and safety**
- **Cooling air gap between rings keeps outer ring cool**
- **Inner ring supports fire grate**
- **Single level, hinged cooking grate**
- **Grate swings outside of ring when not in use for better access to the fire and an open camp fire effect**
- **Public use-type spring grips of coiled steel bar**
- **Elevated cooking grate and firebed conform to ADA guidelines**
- **Quality construction throughout**

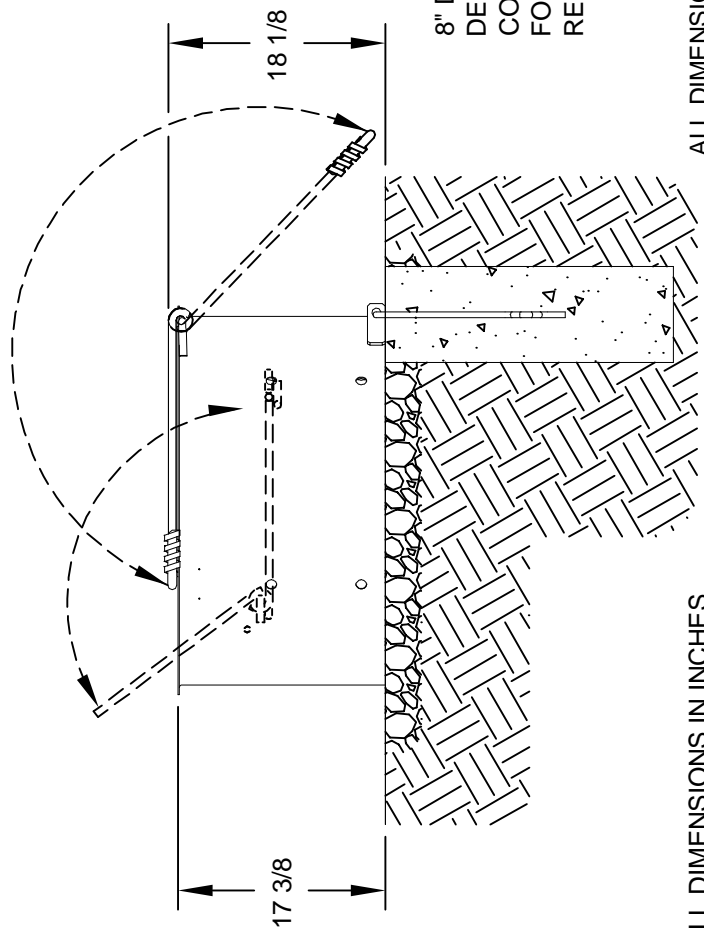
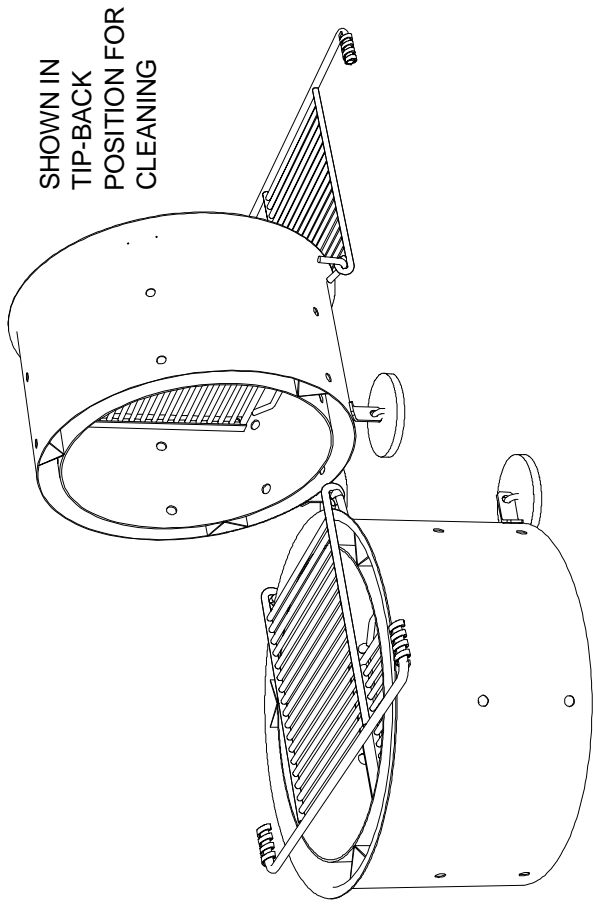
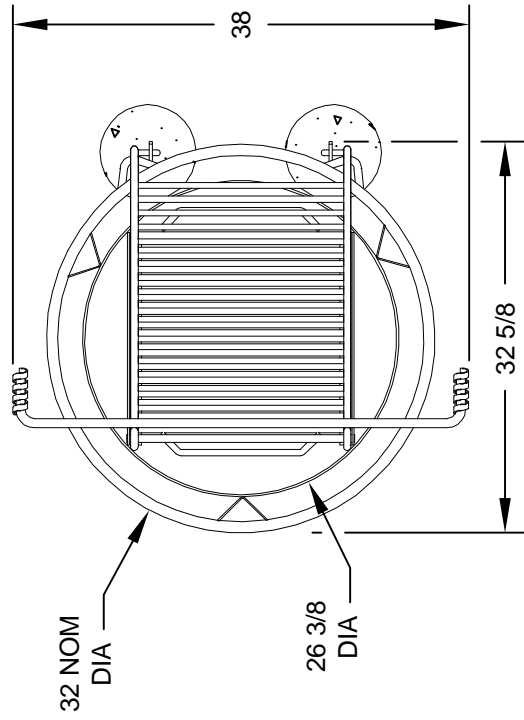
**SPECIFICATIONS:**

- **Model FSDW-30/18/TB** has a 32" overall dia. outer ring constructed from 1/8" thick steel with a formed (NOT WELDED) 1" flanged lip at top of ring and ten 1" dia. draft holes located around the perimeter. Firering side is 17-3/8" tall. Ring is provided with hinged anchoring device to allow ring to tip upward for easy cleaning. Two 1/2" dia. steel "U" anchor pins with deformed ends insert 15" into concrete footings.
- Inner fire wall is constructed from 3/16" steel formed in a nominal 26-3/8" dia. ring welded to outer ring by means of three 2-1/2" x 2-1/2", full length steel angles. Ten 1" dia. draft holes are provided in the 17-3/8" tall inner wall.
- 370 sq. in. cooking grate is constructed from 5/8" dia. A-36 steel bar around the perimeter, 3/4" A-36 steel bar for the handle, and 1/2" dia. A-36 steel bar for the grate bars. Grate is attached to and hinged upon 2 tightly formed eyelets made from 5/8" dia. A-36 steel bar that make a mechanically secure theft-proof attachment.
- Grate handles are provided on the cooking grate with two substantially constructed spring grips suitable for public use made from 1/8" x 1/2" steel flat bar.
- 380 sq. in. log grate area is constructed from 5/8" dia. A-36 steel bar around the perimeter and 1/2" dia. A-36 steel bar for the grate bars. Grate is permanently attached and hinged by means of 2 tightly formed eyelets made from 5/8" dia. A-36 steel bar at one end and supported by 2 supports made from formed 5/8" dia. A-36 steel bar at the opposite end. Grate lifts opposite the cooking grate for easy cleanout.
- Entire unit is finished in high temperature, heat resistant, nontoxic black enamel.

**RJ Thomas Mfg. Co., Inc.**

PO Box 946 • Cherokee, IA 51012-0946 • PH: 712-225-5115 • 800-762-5002 • FAX: 712-225-5796  
E-mail: pilotrock@rjthomas.com • Web Site: <http://www.pilotrock.com>

© 2008 RJ Thomas Mfg. Co., Inc. PILOT ROCK® Park Products is a registered trademark of RJ Thomas Mfg. Co., Inc.



ALL DIMENSIONS IN INCHES

ALL DIMENSIONS IN INCHES

**RJThomas Mfg. Co., Inc.**  
 P.O. Box 946 • Cherokee, IA 51012-0946

DRAWN BY  
**MGB**

TITLE  
 FSDW-30/18/TB WHEELCHAIR ACCESSIBLE DOUBLE WALLED FIRING WITH TIP-BACK ANCHORS

DATE  
 9-22-08

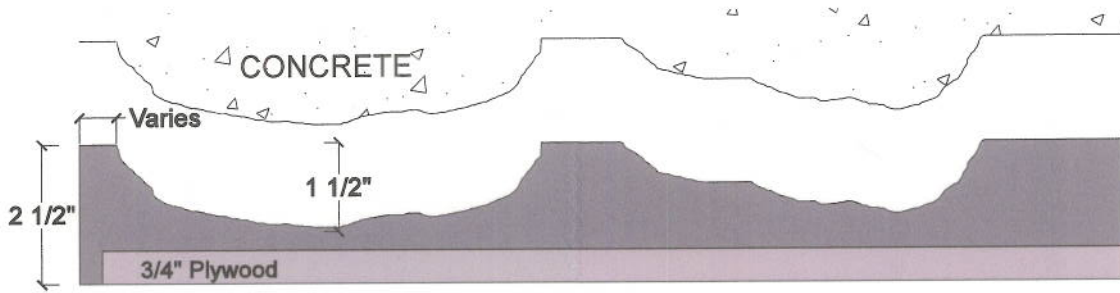
DWG. NO.  
**AI-1462**

# Pattern #1120D Yosemite Stone

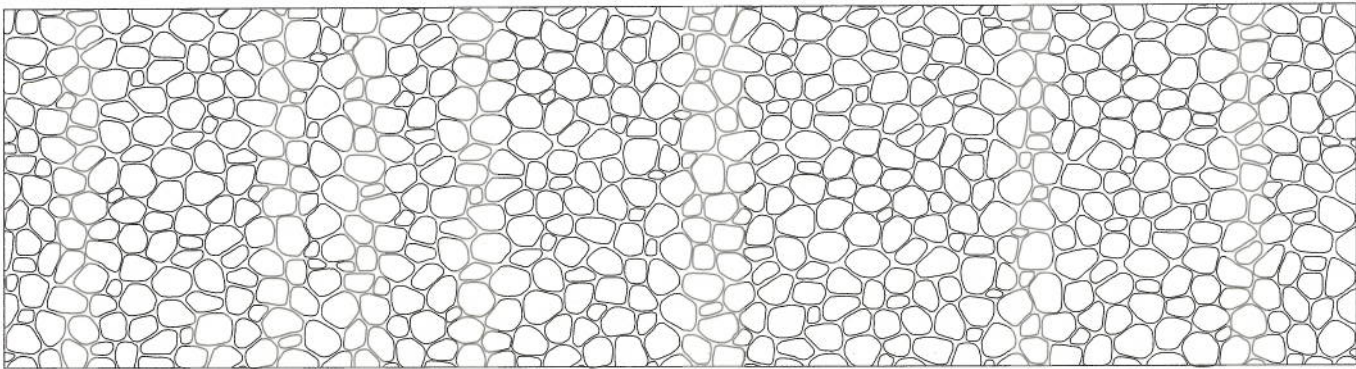
**customrock**  
FORMLINER

### General Information:

Elastomeric formliners are high end liners that capture pattern details with precision. They couple strength with excellent pattern reproduction. The embedded plywood allows ease of handling and installation for cast in place and precast form systems. They have a multiple reuse factor, subject to pattern configuration and proper handling.



\*Representational pattern layout shown. Layout made up of multiple liner modules



**Stone Size:**  
4 1/2" - 11"

#### Care and Handling:

- Keep out of the sunlight and covered when not in use
- Keep away from steam, acids, and certain fuels
- Do not expose to temperatures >150°F (65.5°C)
- For further instructions refer to the application guide

Available Grades:	Duraform	Hi-Lite	Multi-Lite	Cut-Lite
Description:	High reuse / Heavy Weight	High reuse / Lightweight	Medium reuse / Lightweight	Low reuse / Lightweight

# customrock

## FORMLINER

---

### Pattern #1120D Yosemite Stone

Feature: This pattern can be used with 1120 A, B & C to create a graduated pattern

Elastomeric/Urethane Formliner



### Specifications:

Maximum relief	1 1/2"
Average relief	1 1/4"
Liner thickness* Includes internal plywood backing	2 1/2" (A=3 1/2" B=3 1/4" C=2 3/4")
Stone size	4 1/2" - 11"

*Stone sizes approximate*

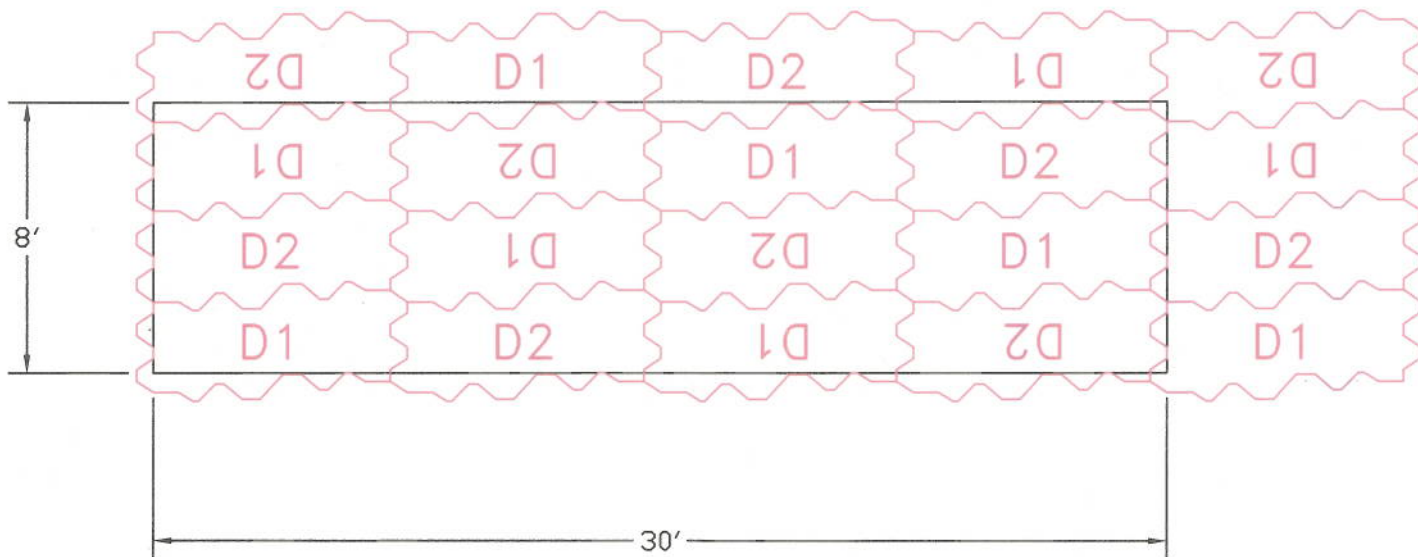
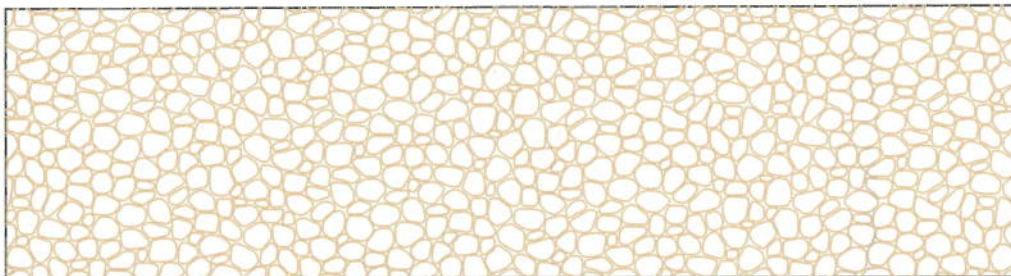
\*When formliners are used in combination to create a graduated layout, all formliner thicknesses must equal largest module type used

**Hi-Lite™ Multi-Lite™ Cut-Lite™ Duraform™**  
Formliners Available in Multiple Grades

# customrock

FORMLINER

## Pattern #1120D - Yosemite Fieldstone



Sample Layout





**800.292.1305**

there when you need us.

Subj

[PRODUCTS \(/PRODUCTS/\)](#) [SUPPLIES \(/SUPPLIES/\)](#) [REPLACEMENT \(/PRODUCTS/REPLACEMENT-PARTS/\)](#) [ABOUT \(/ABOUT/\)](#)

**PRODUCTS**

[Home \(http://www.polyjohn.com/\)](http://www.polyjohn.com/) . [Products \(http://www.polyjohn.com/products/\)](http://www.polyjohn.com/products/) . [Restrooms \(http://www.polyjohn.com/restrooms/\)](http://www.polyjohn.com/restrooms/) . [We'll Care III](#)

**RESTROOMS**

- [PJN3 \(/RESTROOMS/PJN3/\)](#)
- [PJP3 \(ALL PLASTIC FRONT\) \(/RESTROOMS/PJP3-ALL-PLASTIC-FRONT/\)](#)
- [FLEET \(/RESTROOMS/FLEET/\)](#)
- [COMFORT XL \(/RESTROOMS/COMFORT-XL/\)](#)

**WE'LL CARE III**

**SINKS (/SINKS/)**

**TANKS (/TANKS/)**

**HAND SANITIZERS (/HAND-SANITIZERS/)**

**SPECIALTY (/SPECIALTY/)**

**TRAILERS (/TRAILERS/)**

**ADDITIONAL PRODUCTS (/ADDITIONAL-PRODUCTS/)**

**LIGHTING SOLUTIONS (/PRODUCTS/LIGHTING-SOLUTIONS/)**



[ENLARGE VIEW](#)

**WE'LL CARE III**

**Front Color Options**



[Reset Selections](#)

**PJ PART NUMBER**



**PURCHASE SINGLE UNITS**  
[\(/store/purchase-single-units/\)](/store/purchase-single-units/)



**DESIGN YOUR OWN NOW!**  
[\(/store/design-your-own/\)](/store/design-your-own/)



**DOWNLOAD PRODUCT SPECS**



If you need more help figuring out exactly what you need, contact your local sales rep or use JohnTalk for some great advice!

**Contact your Local Rep**  
[\(/contact-us/\)](/contact-us/)

or visit



[\(/johntalk/\)](/johntalk/)

DESCRIPTION	FEATURES	SPECIFICATIONS	SUPPORT	AVAILABLE OPTIONS
-------------	----------	----------------	---------	-------------------

**The We'll Care – Wheelchair Accessible - ADA Unit**

We stand behind our motto "There When You Need Us," and there is no better proof than the PolyJohn We'll Care model. The ADA Compliant Wheelchair Portable Restroom is our largest portable restroom, designed to exceed the American Disability Association's portable toilet guidelines. The We'll Care is also engineered to our own high standards of durability and comfort.

The Wheelchair Accessible Model is designed specifically with wheelchair users in mind. Accessing the portable restroom is made easy by roll-in ground level floor access, stainless steel handrails throughout the interior, and an oversized, self-closing Ryobi door. With its spacious interior, the We'll Care is also the ideal unit for family-friendly events, when users will be children accompanied by a parent.

For persons with physical disabilities or mobility impairments, the We'll Care is access, security and comfort on a large scale.

For a higher level of service, the We'll Care can be accessorized with amenities, and accompanied with wheelchair accessible sinks and sanitizing stations.

**RELATED ITEMS**

[Bravo](#)

[\(http://www.polyjohn.com/bravo/\)](http://www.polyjohn.com/bravo/)



[\(http://www.polyjohn.com/bravo/\)](http://www.polyjohn.com/bravo/)

[Foam Hand Sanitizer Dispenser](#)

[\(http://www.polyjohn.com/foam-hand-sanitizer-dispenser/\)](http://www.polyjohn.com/foam-hand-sanitizer-dispenser/)



[\(http://www.polyjohn.com/foam-hand-sanitizer-dispenser/\)](http://www.polyjohn.com/foam-hand-sanitizer-dispenser/)

(/)

"PolyJohn is a family owned, state of the art, manufacturing company dedicated to providing its employees with a work environment committed to excellence, and its customers with innovative products, services and technology that meet or exceed their requirements."

[Products \(/products/\)](/products/)

[Supplies \(/products/supplies/\)](/products/supplies/)

[Replacement Parts \(/products/replacement-parts/\)](/products/replacement-parts/)

[About Us \(/about-us/\)](/about-us/)

[Contact Us \(/contact-us/\)](/contact-us/)

[Help Center \(/johnstalk/\)](/johnstalk/)

[Languages and Countries \(/country-search/\)](/country-search/)

My Account feature coming soon.

**Connect With Us**

**Facebook** (<https://www.facebook.com/polyjohnenterprises>)

**Twitter** (<https://twitter.com/POLYJOHN>)

**LinkedIn** (<http://www.linkedin.com/company/polyjohn-enterprises-corp-/>)

**YouTube** (<http://www.youtube.com/channel/UCPss85ni6IGHgIREiINCHBg>)

[SITE MAP \(/sitemap/\)](/sitemap/) | [PRIVACY POLICY \(/privacy-policy/\)](/privacy-policy/)  
| [CONTACT US \(/country-search/\)](/country-search/)

© 2014 POLYJOHN ENTERPRISES

Like Share 0

0

Home About Products Parts Store CAD Drawings OMs / Submittals Color Chart Warranty Gallery Contact Us



Download Our Catalog

Toll Free: 1-800-552-6331

Search

Model 440SM

Request A Quote

### Available Products

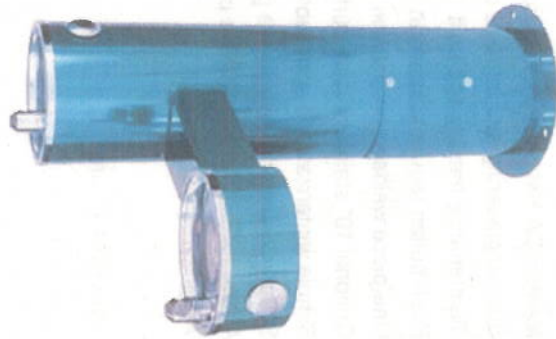
- Newest Products
- Drinking Fountains
- Pedestal Drinking Fountains
- Wall Mounts
- Showers
- Pet Fountains
- Bottle Fillers
- Misters
- Play Towers
- Hydrants & Jug Fillers
- Warranty

Parts Store

Drinking Fountains / Outdoor Drinking Fountains are great for parks, sports complexes, camps, beaches, schools, universities, green ways, bike trails, residential areas and any place where there is a thirsty crowd. Made in the U.S.A.

### Downloads

- Adobe PDF
- AutoCAD DWG
- AutoCAD DWF
- VectorWorks MCD
- VectorWorks VWX
- OM / Submittal
- Specifications



Description Options Colors OM/Submittal

Fountain Photos

For Your Home

Meets ADA Hi/Lo requirements.

Solid engineering and intuitive design.

Maintenance friendly and built "tank tough".

Push button requires less than 5lbs to operate.

One piece welded construction with standard 3/16" wall.

Optional 10" stainless steel surface carrier is recommended for easier installation.

Simple winterization if applicable.

Supply connection stop above grade behind the access door.

All products including 'SS' are powder coated for extra protection.

Weight: 150 lbs.

Request A Quote

back to top



Information

Home

About

Products

Parts Store

CAD Drawings

OMs / Submittals

Color Chart

Warranty

Gallery

Online Store

My Account

View Cart

Login

MostDependable.com

Most Dependable Fountains, Inc.

5705 Commander Drive, Arlington, TN 38002

Toll Free: 1-800-552-6331

Office: 1-901-867-0039

Fax: 1-901-867-4008

Internet: www.mostdependable.com

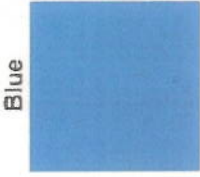
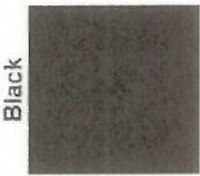
E-mail: info@mostdependable.com

Parts: partsservice@mostdependable.com

Made in the USA

Description Options Colors OM/Submittal

Fountain Photos



For Your Home



Search



Find us on Facebook

Textured Burgundy



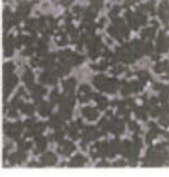
Textured Copper



Textured Emerald



Textured Gold Vein



Textured Pyrite



Textured Sandstone



Textured Sapphire

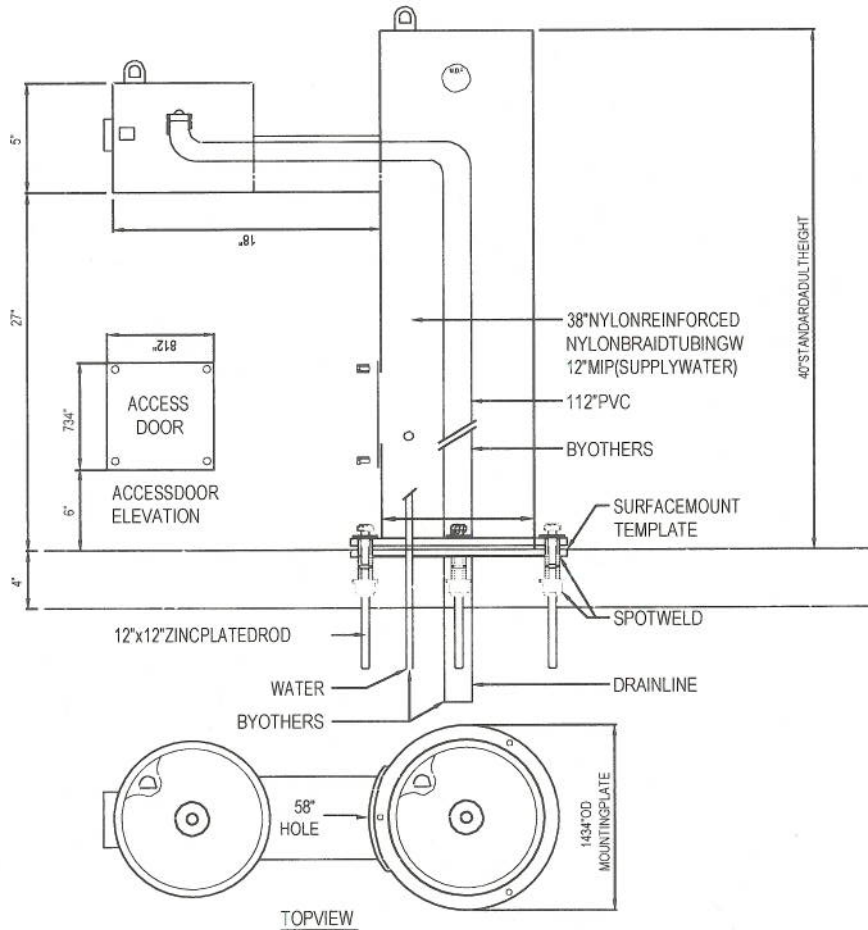


[back to top](#)



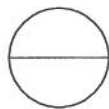
NOTE: SEE GUIDEBOOK  
SPEC 02801 OUTDOOR  
DRINKING FOUNTAIN

MOST DEPENDABLE FOUNTAINS INC.  
5705 COMMANDER DR. P.O. BOX 587  
ARLINGTON, TN 38002-0587  
TOLL FREE: 1-800-552-6331  
PHONE: (901) 867-0039  
FAX: (901) 867-0159  
www.mostdependable.com



**NOTES:**

1. MEETS ADA REGULATIONS.
2. OPTIONAL STAINLESS STEEL SURFACE CARRIER RECOMMENDED.
3. INSTALLATION TO BE COMPLETED IN ACCORDANCE WITH MANUFACTURER'S SPECIFICATIONS.
4. DO NOT SCALE DRAWING.
5. THIS DRAWING IS INTENDED FOR USE BY ARCHITECTS, ENGINEERS, CONTRACTORS, CONSULTANTS AND DESIGN PROFESSIONALS FOR PLANNING PURPOSES ONLY. THIS DRAWING MAY NOT BE USED FOR CONSTRUCTION.
6. ALL INFORMATION CONTAINED HEREIN WAS CURRENT AT THE TIME OF DEVELOPMENT BUT MUST BE REVIEWED AND APPROVED BY THE PRODUCT MANUFACTURER TO BE CONSIDERED ACCURATE.
7. CONTRACTOR'S NOTE: FOR PRODUCT AND COMPANY INFORMATION VISIT [www.CADdetails.com/info/ANDENTER](http://www.CADdetails.com/info/ANDENTER) REFERENCE NUMBER 3354-1.5.



**MODEL 440 SM**

SHOWN WITH OPTIONAL 10" S.S. SURFACE CARRIER



3354-1.5

REVISION DATE 05142014

PROTECTED BY COPYRIGHT © 2014 CADDETAILS.COM LTD.

CADdetails.com

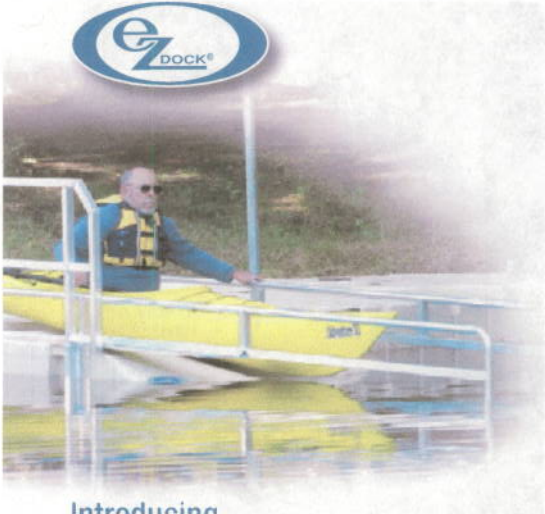
# EZ Launch™ FOR KAYAKS & CANOES



UNBEATABLE  
ACCESS & SAFETY



800-654-8168 ■ [www.ez-dock.com](http://www.ez-dock.com)



Introducing...

The EZ Launch for Kayaks & Canoes

Contact your local dealer/distributor today at 1-800-654-8168 for more information!

EZ LAUNCH MAKES IT EASY  
TO LAUNCH AND RECOVER  
YOUR KAYAK OR CANOE





# EZ Launch™ FOR KAYAKS & CANOES

## NOW LAUNCHING!

The new EZ Launch for Kayaks and Canoes is the first and only port system built specifically for paddlers. It's so simple and safe to use that everyone will find boarding, launching and recovery a breeze — our oversized rollers and guide rails make it easy to “glide” on and off. It can even be made ADA accessible.

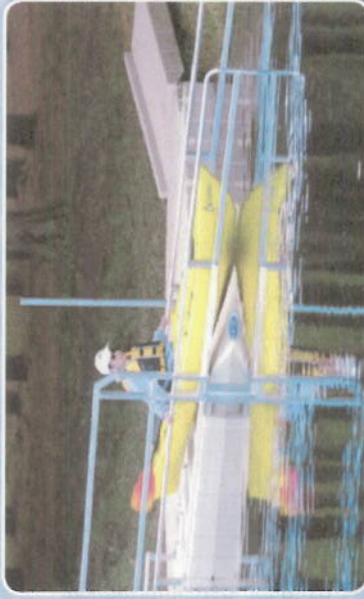
Because it is self-floating, EZ Launch adjusts to changing water levels; and there is ample “foot space” on both sides and in the front to allow for optimum access and stability. Simply put, nothing could be easier for protecting your paddlers, their gear and their vessels when launching and docking.

Our goal is to effectively meet all of your waterfront needs. That's why EZ Launch is modular, making it adaptable to any location. It can be used with your current EZ Dock system or with an existing traditional dock, and it requires only a few tools and very little time to install.

## MAKE IT EASY WITH EZ LAUNCH!

### FEATURES AND BENEFITS

- Simple and safe boarding, launching and recovery
- Easy to install and move without the use of heavy equipment
- Works with current EZ Dock system or existing wood dock
- Versatile, self-floating design makes it suitable for any waterfront
- Offers easy disabled and wheelchair accessibility
- Made of maintenance-free and non-toxic materials
- Longevity well beyond that of a treated wood launch
- High value based on its low upkeep and long-lasting usability
- Provides ultra-convenient, three-sided accessibility



Learn more about EZ Launch and our other EZ Dock products at 800-654-8168 or [www.ez-dock.com](http://www.ez-dock.com)

# Kay-aKcess

- Home
- Kayak Launch
- ADA Docks
- Installation
- Support
- SUP's
- Dock News
- Contact Us

## Kay-aKcess- Buy A Kayak Launch Dock



Parks and Public ADA Applications



8' x 12' floating dock with 8' x 36" launch platform  
(\$2699 dock + \$879 Safe launch) \$3578



Kay-aKcess is an  
AccuDock™ Dealer

1. **Ordering- Standard Kay-aKcess Launch:** 8' x 12' floating dock with 8' x 36" launch platform (\$2699 dock + \$879 Safe launch) \$3578  
Other Dock Sizes Available

2. **Choose Method of Installation**  
How and what are you going to attach your launch to?

Tie up using cleats- **GOOD**



Kay-aKcess Launch Applications
Waterfront Homes- Seawall, Dock and Canal
Parks- Active and Passive
Camp Grounds
Marinas
Resorts
Adaptive Water Sports
Condominiums on the Water
Yacht Clubs
55+ Communities
Restaurants on the Water

Free standing- **BETTER**, 3" pipe hoop connectors \$57 each and 2 1/2" pipe. There are two types - one that attaches anywhere along the frame and the other which connects in the end slots of the frame. Pipe (which is purchased locally) is then driven down into the seabed, and can be covered with a section of PVC for cosmetic purposes.



Attach to a dock/ seawall or pilings- **BEST** Slide assemblies are the most stable and secure method of installing or attaching your dock- especially if you encounter boat traffic and boat wakes. \$849 pr. Usually only 2 slides are required.



3. Select Your Accessories

**Side Assist Bar \$159**



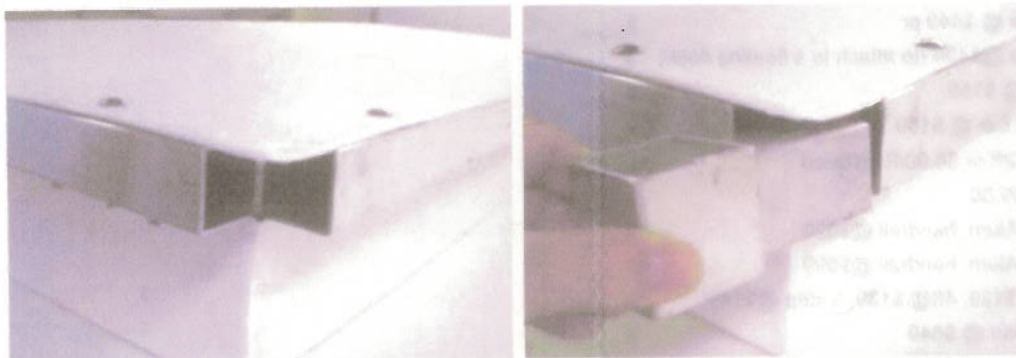
**Overhead Assist Bar 36" \$189**



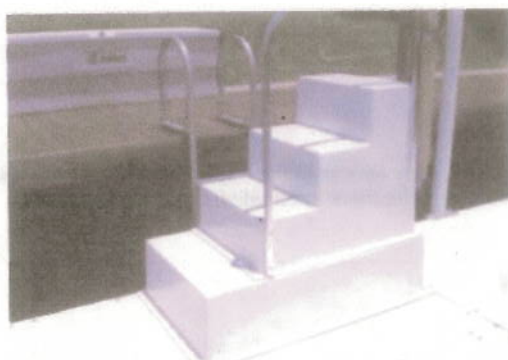
**Cleats:** \$16 each with stainless hardware installed



**Bump Strip:** \$6.00/ft uninstalled, \$8.00/ft installed



**Frame Plugs**- to plug frame corner openings for bump strip installation. \$9 each. Plugs above are inserted in the corners to cover the connector hole and allow bumps strip to be attached and screwed into the frame to hold securely. If installed- we cut and miter the corners as in the picture above- uninstalled we provide strips in 10ft lengths and the screws to attach them.



- 3 step fiberglass stairs with aluminum handrail \$529.
- 4 step fiberglass stairs with aluminum handrail \$599
- 3, 4 and 5 step aluminum ladders - \$129/\$139/\$149.

**Additional Dock Sections** to make your kayak launch larger

- 4' x 8' dock section \$849 resulting in a 8' x 16' area
- 5' x 8' dock section \$979 resulting in a 8' x 17' area

4. **Are You Going to Install Your Launch or Do You Need an Installer?**  
About half of our customer self install. Tie off and pipe hoop methods are very easy, but even half of our customers install the slide assemblies. Full instructions are available at our [Dock Installations](#) section.
5. **Shipping Quotation**- Our kayak Launch Docks are shipped on a pallet. You will need a shipping quote and it can be delivered to the nearest shipping depot and held for pick-up (least expensive) or be brought out to your home for an additional fee. Please supply your zip code and name of your city - and we will supply you with both quotes - depot/home.



Request your shipping quote or for more information call 941-662-5935 or email [mail@Kay-aKcess.com](mailto:mail@Kay-aKcess.com).

6. **Pay for Your Launch**

8' x 12' launch with 36" x 8' safe launch platform	\$3478
Cleats @\$16 ea	\$ _____
Pipe hoop connectors @ \$57	\$ _____

Slide assemblies @ \$849 pr	\$ ____
Slide assemblies @\$499 (to attach to a floating dock)	\$ ____
Side assist bar @ \$159	\$ ____
Overhead assist bar @ \$189	\$ ____
Bump strip \$6.00/ft or \$8.00/ft installed	\$ ____
Frame plugs @\$9.00	\$ ____
3 Step stairs w/ Alum. handrail @\$529	\$ ____
4 Step stairs w/ Alum. handrail @\$599	\$ ____
Ladders- 3 ft @ \$129, 4ft@ \$139, 5 step @\$149	\$ ____
4' x 8' dock section @ \$849	\$ ____
5' x 8' dock section @ \$979	\$ ____



Other Kayak Docks Available

**Kay-aKcess** enables individuals who live on canals, have docks or seawalls safe, easy access to the water. Durable and affordable. Ask about nationwide and international shipping. [Contact Us](#) for more information.

### Kay-aKcess

PO Box 3092  
Placida, FL 33946  
941-662-5935  
[Susan@Kay-aKcess.com](mailto:Susan@Kay-aKcess.com)

Click A Flag For Translation





1-800-870-6756  
 Design. Manufacture. Install.

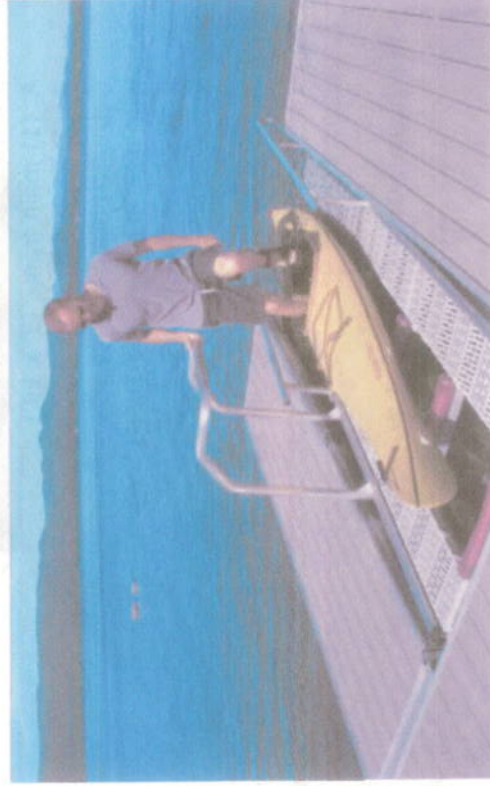
### Dock & Launch Systems

Our floating aluminum Dock & Launch Systems offer a modular design and multiple layout options for both residential and commercial applications. Can be used as an independent launch system, or as part of a complete dock system to accommodate your other waterfront activities, including swimming, lounging and motor-boating. Featuring a universal track-style aluminum frame & foam-filled black polyethylene floats, these made in the USA systems can be used in conjunction with any of our [floating dock systems](#).

### Medium Duty Dock & Launch System

Featuring a 5" tall aluminum frame, and 19' X 11' 9" overall size, our medium duty dock and launch system includes:

- Choose cedar or Trex® decking on main platform & dock fingers (decking is secured directly to the 5" aluminum frame)
- Non-skid Sure-Step® surface on launch platform
- Boarding handle, grab & launch rails
- Includes:
  - A. (1) main frame (7' x 11'9")
  - B. (2) dock fingers (3'6" x 12')
  - C. Launch ramp (4' x 12') with built in rollers and Sure-Step® non-skid ramp decking
  - E. Boarding handle
  - F. Grab and launch rails



### Heavy Duty Dock & Launch System

Featuring a 7" tall aluminum frame, and 20' 3" X 19' overall size, our heavy duty dock and launch system includes:

- Choose Trex or Ipe hardwood decking (with Ipe decking this system meets commercial & municipal quality standards)
- Non-skid Sure-Step® surface on launch platform
- Boarding handle, grab & launch rails
- ADA curbing & rails optional
- Includes:
  - A. (1) main frame (7' x 19')
  - B. (2) dock fingers (7' x 13'3")
  - C. Launch ramp (4'4" x 15')
 with built in rollers and Sure-Step® non-skid ramp decking
- E. Boarding handle
- F. Grab and launch rails

**Our launch dock systems can be picked up, delivered locally, or shipped to anywhere in the continental USA. Please contact us for a shipping quote or call us at: (800) 870-6756**

### Medium Duty Dock & Launch System

Featuring a 5" tall aluminum frame, and 19' x 11'9" overall size

Style	Price Cedar Decking	Price Trex® Decking
-------	------------------------	------------------------

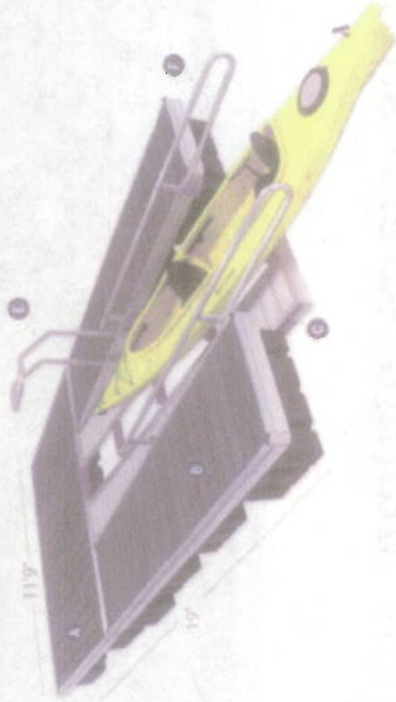
Medium Duty Dock & Launch System	\$9,390	\$10,480
----------------------------------	---------	----------

### Heavy Duty Dock & Launch System

Featuring a 7" tall aluminum frame, and 20'3" x 19' overall size

Style	Price Trex® Decking	Price Ipe Decking
-------	------------------------	----------------------

Heavy Duty Dock & Launch System	\$17,990	\$18,960
---------------------------------	----------	----------



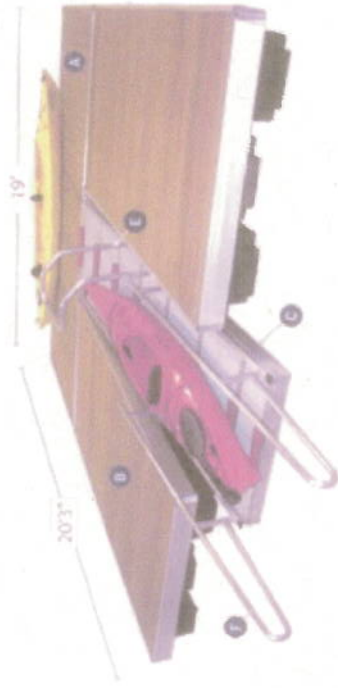
Medium Duty Launch Dock



[Download our Paddle Products Catalog](#)



[Download our Complete Catalog](#)



Heavy Duty Launch Dock







Hey! We Invented this stuff!  
Satisfaction Guaranteed  
Huge Selection

**Prices & Ordering**

- Home
- About Us
- Come See Us
- Contact Us
- Photo Gallery
- Material & Construction
- Slat Spacing
- Curves & Corners
- Catalog
- Retailers

*...maker of these unique, patented products...*



Patio Decks by the Pool,  
Roll Out, Florida

In these Fine Materials:



PT\*



Cypress



Teak/Ipe\*\*



Trex®\*\*\*

\* Pressure Treated Southern Pine, Non-Arsenic  
\*\* IPE (Diamond Decking®)  
\*\*\* Plastic & Wood Composite



Beach Walkways.  
Teak/Ipe, Martha's Vineyard.



Roof Decks,  
Balcony or Terrace, too!  
Roll Out, Teak/Ipe, New York City



Custom Wood Walkways & Decks



Roll Out Wooden Walkways  
Over Grass, 45° Curves.



Wood Door Mats,  
Sunburst, Natural Finish, Teak/Ipe.



Shower Mats  
Bath & Tub Mats  
Hot Tub Mats  
Sauna Mats  
Great for your indoor or outdoor shower. Enjoy the wonderful

*Commercial...*

**Product Info**

- Modular Walkways
- Modular Decks

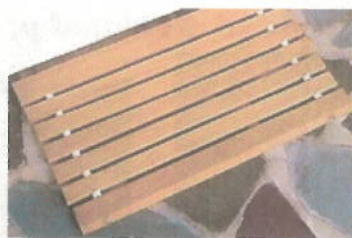
*Home & Garden...*

**Product Info**

- Roll Out Walkways
- Wooden Door Mats
- Patio Decks
- Roof Decks
- Balcony Decks
- Terrace Decks
- Shower Mats
- Bath & Tub Mats
- Hot Tub Mats
- Sauna Mats
- Modular Walkways
- Modular Decks
- Tree Mats
- Barbeque Grill Mats
- Trash Can Mats
- Work Area Mats
- Anti-Fatigue Mats
- Plant Trivits

- Deck Protectors
- Other Products
- Custom Products

Copyright© 2000-2009 by  
Warren McLeod. All Rights  
Reserved Patent 5,282,692



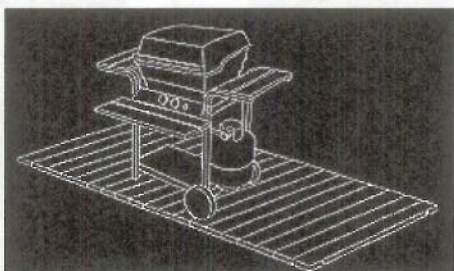
Wood Door Mats,  
Rectangular, Natural Finish, Cypress.



Tree Mats



Trash Can Mats



Barbecue Grill Mats



Edging



Wood Doormats,  
Sunrise  
Sunburst,  
Federal  
Blue.

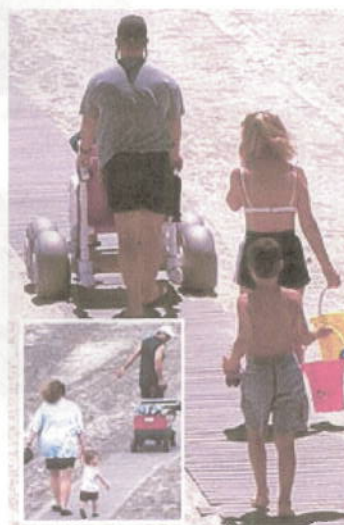
benefits of a wooden shower mat for  
your inside or outside shower.



Deck Kits  
Quick & Easy Assembly.



Handicapped Access  
to Non-Traditional Areas.  
Modular Walkways for Parks,  
Beaches, Playgrounds, Nature,  
Lake & River Walks,  
and more.



Modular Walkways  
Beach Access for Everyone.

As Decor over Garage Doors.



Prefabricated Deck Kits  
Sections bolt together in minutes.



Modular Walkways  
Over Grass,  
made with No Spacing  
so Grass & Weeds  
won't grow through.



Sand Dune Preservation  
Modular Walkways.



Semi-Rigid FlexWalks  
Perfect for Resorts



Modular Deck Kits  
Ideal for Events.



Modular Walkways  
at a Lake Beach.  
Built for rugged use.



Copyright © 2000-2010 by Warren McLeod, All Rights Reserved  
Patent 5,282,692



*Modular  
Walkways,  
Modular  
Decks...*

**Home**

Designed for HIGH TRAFFIC public use ...PERMANENT or TEMPORARY.

NO CARPENTERS, STATE OR LOCAL PERMITS, ARCHITECTS OR ENGINEERS REQUIRED ...lower cost.

NO NAILS ...to rust, deteriorate, pop out or get hot ...prevents injury.

UNIQUE, PATENTED DESIGN ...provides a safe, flat walking surface that smoothly transitions from one section to the next.

EASILY INSTALLED ...by Public Works or Maintenance personnel.

SELF-LEVELING ...contours to almost any surface.  
PERMANENT OR SEASONAL USE ...ideal for both.  
GREAT WINTER FEATURES ...no buckling & cracks, less ice in low spots, snowblowers & salt are OK (or shovel sideways).

EASILY RE-POSITIONED ...over new sand.

QUICKLY REMOVED ...after the season or before a storm.

DESIGNED FOR 20 YEARS OR MORE ...of tough use.

GUARANTEED ...against rot & termites.

MADE IN THE U.S.A.

Copyright© 2000-2009 by Warren McLeod, All Rights Reserved  
Patent 5,282,692

---

[Home](#)



## Door Handle Lever

Products are listed alphabetically.

Page 1 of 2 [Next page >](#)

### 1. [ABLEWARE TKO TURNING KNOB OPERATOR \(MODEL H75310\)](#)

The Ableware TKO Turning Knob Operator is designed to assist individuals with limited manual strength or dexterity to grasp, turn, and open any non-round control knob or appliance handle. The turner consists of a large T-handle attached to a large round base with retractable pins on its bottom. When the turner is pressed onto a knob the pins contacting with the knob's surface retract, while the remaining pins surround the knob for a secure grip. The turner can be used on irregular knobs, includ...[\[More Information\]](#)



### 2. [ARROW W SERIES LEVER LOCKSET](#)

The Arrow W Series Lever Lockset is an exterior door lock with leverhandle designed for use by individuals with grasping, fine motor, or upper extremity disabilities. The non-handed lever comes in Broadway, Sierra, or Ventura styles, and is set in a circular plate (rose) assembly. The lockset includes a solid brass, six-pin cylinder with Arrow "A" keyway; a brass latch with brass, bronze, or stainless steel latch front; thru-bolts with support plates; and two six-pin nickel silver keys. DIMENSI...[\[More Information\]](#)



### 3. [ARTHRITIS DAILY HELPER KIT \(MODEL 557183\)](#)

The Arthritis Daily Helper Kit, model 557183, combine products designed for use by individuals with arthritis, fine motor or grasping disabilities or limited hand dexterity. Intended to assist arthritis sufferers with daily tasks, this kit features the following item: Dr. Grip Pen, Rubber Doorknob Extension, EZ Key Turner, Button Hook with Zipper Pull, and Shoe Buttons (see separate entries). ...[\[More Information\]](#)



### 4. [DOOR KNOB HELPER \(MODEL 640-8114-0200\)](#)

The Door Knob Helper, model 640-8114-0200, is a door handle lever designed for use by individuals with grasping or upper extremity disabilities, arthritis, or other wrist or hand pain. The lever device is constructed of rubber and fits over most standard round door knobs. It is designed to eliminate turning or twisting of wrists and hands by enabling the user to press down on the lever to open a door. ...[\[More Information\]](#)



### 5. [DOORKNOB EXTENDER](#)

The Doorknob Extender is a door handle lever designed for use by individuals with grasping disabilities. This door knob extension handle converts a standard doorknob into a door lever, providing extra leverage so less pressure is needed to turn the doorknob. The extender fits over a standard doorknob and allows access to keyholes. A cord or string can be inserted through the handle slot, making doorknobs easier to access for people with limited reach. DIMENSIONS: Handle length is 5 inches. COLOR...[\[More Information\]](#)



### 6. [Door Handle Opener Aid.](#)

----- "DO IT YOURSELF" ENTRY ----- PURPOSE: Adaptation of a standard round doorknob includes a lever to make it easier to use by a person with hand weakness. Illustrates doorknob adaptation made with 2 round junction box covers, 2 1/2 inch bolts and nuts (4), and a strip of aluminum. One of the junction box covers has a slot cut to allow it to be slipped over the narrow part of the doorknob near the door; the other has a circle cut out of the center so it won't slip off the face of the knob....[\[More Information\]](#)

### 7. [ECM SENTINEL ADA LEVER CONVERSION KIT](#)

The ECM Sentinel ADA Lever Conversion Kit is a door handle lever designed for use by individuals with grasping, fine motor, or upper extremity disabilities. This heavy-duty kit converts Grade 1 knobs to lever operation. It works with all existing brand mortise locks in all functions, including Corbin, Russwin, Sargent, Yale, Best, Arrow, Falcon and Alment. The kit includes two integrated lever escutcheon assemblies, one for each side of the door, with four through-bolting studs on both escutcheo...[\[More Information\]](#)



### 8. [GENESYS SERIES GRADE 1 CYLINDRICAL LOCKSET](#)

The Genesys Series Grade 1 Cylindrical Lockset is a door lock with lever handle designed for use by individuals with grasping or upper extremity disabilities or arthritis. This door lock has a full length non-handed lever handle. It has a solid brass 6-pin keyway cylinder and fits doors from 1.375 to 1.75 inches thick, with fixed Thru Bolt Installation and concealed mounting screws. The housing is made from cold rolled steel and zinc dichromate finish for rust resistance with precision cast st...

#### Quick Page Links

- [View All](#)
- [Page 1](#)
- [Page 2](#)

#### Quick Product Links

- [ABLEWARE TKO TURNING KNOB OPERATOR \(MODEL H75310\)](#)
- [ARROW W SERIES LEVER LOCKSET](#)
- [ARTHRITIS DAILY HELPER KIT \(MODEL 557183\)](#)
- [DOOR KNOB HELPER \(MODEL 640-8114-0200\)](#)
- [DOORKNOB EXTENDER](#)
- [Door Handle Opener Aid](#)
- [ECM SENTINEL ADA LEVER CONVERSION KIT](#)
- [GENESYS SERIES GRADE 1 CYLINDRICAL LOCKSET](#)
- [HANDLE LEVER](#)
- [HEAVY-DUTY CYLINDRICAL LEVER LOCKSET \(L3500 SERIES\)](#)
- [KEYLESS LOCKSET WITH LEVER HANDLE](#)
- [KEYSET DELTA DOOR LEVER](#)
- [KEYSET DORIAN DOOR LEVER](#)
- [KEYSET SIGNATURE SERIES DOOR LEVERS](#)
- [LEVER DOOR HANDLE](#)
- [LEVER DOOR HANDLE EXTENSION](#)
- [LEVERON DOOR LEVERS](#)
- [LEVERON DOOR HANDLE](#)
- [M SERIES MORTISE LOCKS WITH LEVERS](#)
- [PADBLE LATCH OPERATOR \(MODEL 6400\)](#)
- [PUSH/PULL LATCH \(MODEL HL 5\)](#)
- [RETROFIT LEVER \(MODEL 640-10\)](#)
- [RUBBER DOORKNOB EXTENSION \(MODEL 6395\)](#)
- [SCHLAGE LEVERS](#)
- [SECURITY BOLT \(700 & 900 SERIES\)](#)

[\[More Information\]](#)



#### 9. **HANDI LEVER**

The Handi Lever is a cast aluminum retrofit door handle that converts existing conventional round doorknobs between 1 7/8 and 2 5/16 inches to lever style handles. The levers can be installed with an Allen wrench. No gripping or twisting is necessary to use the lever, and it is designed to not interfere with key locks or knob lock functions. SIZES: There are 7 sizes; right or left hand models. COLORS: Oil rub bronze, brushed chrome, antique brass, polished chrome, black, brass, satin brass, plat... [\[More Information\]](#)



#### 10. **HEAVY-DUTY CYLINDRICAL LEVER LOCKSET (CL3500 SERIES)**

The Heavy-Duty Cylindrical Lever Lockset, CL3500 Series, is a lever style security lockset designed for use by individuals with grasping or fine motor disabilities. This Grade 1 lockset has a through-bolted cylindrical chassis and solid cast levers with independent return springs to prevent lever sag. Two lever styles are available: Armstrong, with a straight lever handle; and Newport, with a square-hooked lever handle. Available finishes are Bright Brass, Satin Brass, Bright Bronze, Satin Bronz... [\[More Information\]](#)



#### 11. **KEYLESS LOCKSET WITH LEVER HANDLE**

The Keyless Lockset with Lever Handle is a keyless door lock designed for use by individuals with fine motor or grasping disabilities or arthritis. This solid brass lockset features a glow-in-the-dark electronic keypad that accepts up to six different entry codes of two to eight digits. Codes can be changed as needed. If an incorrect code is entered four consecutive times, an alarm sounds. This lockset replaces existing hardware and installs with the included mounting hardware. Two keys are incl... [\[More Information\]](#)



#### 12. **KWIKSET DELTA DOOR LEVER**

The Kwikset Delta Door Lever is an interior or exterior door lock with lever handle designed for use by individuals with grasping disabilities. This straight-blade-style lever handle is non-handed and is available with a keyed lockset for exterior use, a pushbutton lock for interior privacy use, or without a lock mechanism. COLOR: Lifetime brass, polished brass, antique brass, antique nickel, polished chrome, or satin chrome finish... [\[More Information\]](#)



#### 13. **KWIKSET DORIAN DOOR LEVER**

The Kwikset Dorian Door Lever is an exterior or exterior door lock with lever handle designed for use by individuals with grasping disabilities. This hook-ended lever handle is non-handed and is available with a keyed lockset for exterior use, a pushbutton lock for interior privacy use, or no lock mechanism. COLOR: Satin nickel, lifetime brass, polished brass, antique brass, antique nickel, Venetian bronze, polished chrome, or satin chrome finish... [\[More Information\]](#)



#### 14. **KWIKSET SIGNATURE SERIES DOOR LEVERS**

Kwikset Signature Series Door Levers are lever door handles designed for use by individuals with grasping disabilities. Levers come in a variety of handle styles, including Ashfield, Avalon, Brooklane, Commonwealth, Pembroke, Lido, and Tustin. Most handle styles are curved, with or without scrolling. The Ashfield handle is straight and thick. Most styles are handed. Tustin is a reversible handle style that fits both right handed and left handed doors. The handle is available with a keyed lockset... [\[More Information\]](#)



#### 15. **LEVER DOOR HANDLE**

--- DO IT YOURSELF ENTRY --- PURPOSE: To provide a means for individuals with arthritis, spinal cord injury, or upper extremity disabilities to open doors. Included in a chapter entitled "Housekeeping & Getting Around," this article provides detailed instructions and illustrations for creating a lever door handle. A pipe hanger bracket is attached horizontally to a doorknob with a radiator hose clamp. Prongs and sharp edges are covered with plastic tape. Plastic tape can also be used to cover th... [\[More Information\]](#)

#### 16. **LEVER DOOR HANDLE EXTENSION**

---- CUSTOM ADAPTATION ---- PURPOSE: To enable an individual with upper extremity disabilities to open a residential fire door with an automatic closer. A lever made of lightweight aluminum tubing with rubber tips at each end was attached to the existing small lever handle with two hose clamps. This enabled the user to grasp the handle with both hands to turn it and use body weight to pull the door open. DIMENSIONS: The aluminum tube is 20 centimeters long. TITLE: Opening Gambit. JOURNAL: TAD... [\[More Information\]](#)



#### 17. **LEVERON DOOR LEVER**

The Leveron is a door handle lever designed for use by individuals with grasping and other upper extremity disabilities. The device fits over conventional round doorknobs to provide a lever handle and features an opening to allow full key access. The Leveron is constructed of high impact resin, fits left or right door openings, and is suitable for indoor or outdoor use. A plastic installation

wrench is included. COLOR: Almond, antique brass, silver, dark bronze, and hi-glow white...[\[More Information\]](#)



#### 18. LEVON DOOR HANDLE

The Levon Door Handle is a lever door handle designed for use by individuals with fine motor or grasping disabilities. Designed for heavy-duty residential or light and medium-duty commercial use, it is available on inside only of deadlatch and keyed functions. The lever is zinc-based and brass, bronze, or stainless steel plated. DIMENSIONS: Length of lever arm is 2-9/16, 3-3/32, or 3-3/16 inches....[\[More Information\]](#)



#### 19. M SERIES MORTISE LOCKS WITH LEVERS

The M Series Mortise Lock with Levers is an exterior door lockset with lever handles designed for accessibility to individuals with grasping or fine motor disabilities. Levers are flat with an angled end. Right hand is standard, left hand optional. This heavy duty hardened steel lockset has a solid brass cylinder (5, 6, or 7 pin) and two stainless steel faceplates (armored faceplate in front). Heavy duty through-bolted inserts clamp the trim on the door assuring proper alignment. Two nickel silv...[\[More Information\]](#)



#### 20. PADDLE LATCH OPERATOR (MODEL 4590)

The Paddle Latch Operator, model 4590, is a door latch operator designed for use by individuals with fine motor disabilities. It is available for pushing or pulling to the left or the right with Adams Rite 4500, 4900, or MS+1890 series latches. SIZES: For door thicknesses of 1-3/4, 1-13/16 to 2, 2-1/4 to 2-1/2, 2-3/4 to 3, or 3-1/4 inches. Larger custom sizes are available. COLOR: Available with dark anodized bronze, black anodized, or satin aluminum anodized finish...[\[More Information\]](#)



#### 21. PUSH PULL LATCH (MODEL HL-6)

Door handle, aluminum or colors. Easily grasped push/pull with knurled or textured surface. Locking or latching available. Length 4 1/2 inches, diameter of pull 1 1/2 inches. 2 inches clearance from door surface. COLOR: Brass, zinc, or stainless steel finish....[\[More Information\]](#)



#### 22. RETROFIT LEVER (MODEL 04-032)

The Retrofit Lever, model 04-032, is a lever door handle that converts D series Orbit, Plymouth, and Tulip design knob locks into lever handle locks. Conversion can be made without removing the lock from the door. Black, engineering grade resin designed for high usage on all standard door installations. Lever returns to within one half inch of face on 1 3/4 inch doors. Converts both keyed and non-keyed D series locks....[\[More Information\]](#)



#### 23. RUBBER DOORKNOB EXTENSION (MODEL 6393)

The Rubber Doorknob Extension, model 6393, is a door handle lever designed to assist individuals with limited manual grasping ability. The handle's soft rubber molding snaps over the doorknob, providing leverage to turn the knob. Fits knobs 2 to 2.5 inches in diameter. Latex free. DIMENSIONS: The handle is 2.5 inches long....[\[More Information\]](#)



#### 24. SCHLAGE LEVERS

Schlage Levers are door handle levers designed for use by individuals with fine motor or grasping disabilities. Levers are available in eight different styles (Accent, Avanti, Callington, Champagne, Elan, Flair, Jazz, or St. Annes) and 10 different finishes to fit the user's home decor. The same unit can be used as either a right- or left-hand lever. OPTIONS: Elan or Jazz style lever in keypad lockset. COLOR: Bright brass, antique brass, satin nickel, bright chrome, satin chrome, antique pewter,....[\[More Information\]](#)



#### 25. SECURITY BOLT (700 & 900 SERIES)

Lever style security lockset door handles. 20 degree turn will operate 0.5 inch throw or 1 inch deadbolt tested to 1000 pounds torque. Bronze or stainless steel. Meets ANSI grade 1 requirements. Straight and return level designs available. Some models with interior security bolt. Keyed lock in handle....[\[More Information\]](#)

Page 1 of 2 [Next page >](#)

[View discontinued Products \(34\)](#)

[Home](#) | [Alternate Layout](#) | [My AbleData](#) | [Contact](#) | [Site Map](#) | [A-Z Index](#) | [Help](#) | [Privacy](#)

AbleData, 103 W. Broad Street, Suite 400, Falls Church, VA 22046. 1-800-227-4216. Se habla español. Maintained for the [National Institute on Disability and Rehabilitation Research](#) at the [U.S. Dept. of Education](#) by [New Editions Consulting](#) under Contract No. ED-OSE-13-C-0064.







# AbleData

Your source for assistive technology information

[Alternate Layout](#) | [Contact](#) | [Site Map](#) | [A-Z Index](#) | [Help](#) |

St

[Home](#) | [Products](#) | [Resources](#) | [Library](#) | [About AbleData](#) | [My AbleData](#)

## Kwikset Corporation

19701 DaVinci  
Lake Forest, California 92610  
United States  
**Telephone:** 800-327-5625.  
**Fax:** 800-713-7080.  
**Web:** <http://www.kwikset.com>.

**Products manufactured by Kwikset Corporation** (listed alphabetically)

### 1. KWIKSET DELTA DOOR LEVER

The Kwikset Delta Door Lever is an interior or exterior door lock with lever handle designed for use by individuals with grasping disabilities. The straight-blade-style lever handle is non-handed and is available with a keyed lockset for exterior use, a pushbutton lock for interior privacy use, or without a lock mechanism. COLOR: Lifetime brass, polished brass, antique brass, antique nickel, polished chrome, or satin chrome finish.



### 2. KWIKSET DORIAN DOOR LEVER

The Kwikset Dorian Door Lever is an exterior or interior door lock with hook-ended lever handle designed for use by individuals with grasping disabilities. The hook-ended lever handle is non-handed and is available with a keyed lockset for exterior use, a pushbutton lock for interior privacy use, or no lock mechanism. COLOR: Satin nickel, lifetime brass, polished brass, antique brass, antique nickel, Venetian bronze, polished chrome, or satin chrome finish.



### 3. KWIKSET SIGNATURE SERIES DOOR LEVERS

Kwikset Signature Series Door Levers are lever door handles designed for use by individuals with grasping disabilities. Levers come in a variety of handle styles, including Ashfield, Avalon, Brooklane, Commonwealth, Pembroke, Lido, and Tustin. Most handle styles are curved, with or without scrolling. The Ashfield handle is straight and thick. Most styles are handed. Tustin is a reversible handle style that fits both right handed and left handed doors. The handle is available with a keyed lockset for exterior use, a turnbutton lock for interior privacy use, or without a lock mechanism. COLOR: Satin nickel, polished brass, antique brass, antique nickel, Venetian bronze, polished chrome, or satin chrome finish.



#### Feedback

Has the information on this page helped you find what you need?

#### Did You Know?

If you register for a free [My AbleData account](#), you can save products and resources and quickly find companies and organizations for your state.

[Home](#) | [Alternate Layout](#) | [My AbleData](#) | [Contact](#) | [Site Map](#) | [A-Z Index](#) | [Help](#) | [Privacy](#)

AbleData, 103 W. Broad Street, Suite 400, Falls Church, VA 22046. 1-800-227-0216. Se habla español.  
Maintained for the [National Institute on Disability and Rehabilitation Research](#) at the [U.S. Dept. of Education](#)  
by [New Editions Consulting](#) under Contract No. ED-OSE-13-C-0064.



The records in AbleData are provided for information purposes only. Neither the U.S. Department of Education nor New Editions Consulting has examined, reviewed, or tested any product, device, or information contained in AbleData. The Department and New Editions Consulting make no endorsement, representation, or warranty express or implied as to any product, device, or information set forth in AbleData. The views expressed on this site do not necessarily represent the opinions of the Department of Education, the National Institute on Disability and Rehabilitation Research, or New Editions Consulting.



Home | Welcome Guest! | Sign In? | My Account | Contact Us | Tracking |

Order online or call us **773-809-3667**



Items in Cart: 0 Items  
Sub Total: \$0.00

[View Cart](#)

[Checkout](#)

Search

- Access Panels
- Bathroom Hardware
- Builders Hardware
- Complete Door Units
- Door & Frame Components
- Door Closers
- Electrified Hardware
- Exit Devices
- Fans & Lighting
- Fire Safety
- Floor Doors
- Foodservice Products
- Glass
- Hinges & Pivots
- Janitorial Supplies
- Key Cabinets
- Locksets & Deadbolts
- Medical Accessories
- Metal Doors
- Metal Frames
- Millwork
- Overhead Stops & Holders
- Plumbing
- Postal Accessories
- Roof Hatches
- Sliding Door Hardware
- Storage & Garage Organization
- Tools & Accessories
- Trim & Auxiliary
- Weatherstripping
- Wood Doors

Home > Trim & Auxiliary > Pull Handle without Plate > Solid Round Pulls > Straight > 3/4" Diameter > 10" CTC > US4/606/Satin Clear Coated Brass > Hager H3J US4 Satin Brass 10" CTC Round Wrought Door Pull - ADA Access Rated  
 Home > Trim & Auxiliary > Pull Handle without Plate > Standard > 3/4" Diameter > 10" CTC > US4/606/Satin Clear Coated Brass > Hager H3J US4 Satin Brass 10" CTC Round Wrought Door Pull - ADA Access Rated



**Hager H3J US4 Satin Brass 10" CTC Round Wrought Door Pull - ADA Access Rated**

Part #: Hager H3J US4

Manufacturer: Hager  
Price: \$50.24

**Order Options:**

Select Mounting

Comments (Optional)

Qty: 1



**FREE shipping**  
on orders of \$200 or more  
[Click for Details](#)

**What's New**



Badger 21028B

**sales tax only in Illinois**  
[Click for Details](#)



About Us Video

Email this item to a colleague



**HAGER**  
More from Hager



**PayPal**  
Get more time to pay  
Check out with PayPal and choose Bill Me Later®  
Subject to credit approval. See terms. US customers only.

Availability: Ships within 3-4 business days.

**Hager H3J US4 Satin Brass 10" CTC Round Wrought Door Pull - ADA Access Rated**

- Round Wrought Door Pull - ADA Access Rated
- Base: 3/4" Diameter (19 mm)
- Center to center: 10" (254 mm)
- Projection: 3-1/4" (82 mm)
- Clearance: 2-1/2" (64 mm)
- Door thickness: 1-3/4" (45 mm) standard - if other than #3/4" please specify
- Material: Brass
- Finish: Satin
- Available finish(es): US3, US4, US10, US10B, US26, US26D, US28, US32, US32D
- Fasteners: Two (2) 1/4" - 20 thru bolts with finish washers
- Certification: Meets ANSI A156.6 for J401 Pulls
- Options:
  - May be combined with a plate to make a pull plate
  - Other centers on special order
  - If ordered with tempered glass, specify glass thickness and hole size



[Product Template](#)



[Mounting Drawings](#)

**Questions and Answers**

There are currently no questions or answers.

Have a question about this product? Ask it here.

**Customer Reviews**

There are no customer reviews yet.  
Be the first to [Write a Review](#)

Home | Info | My Account | Advanced Search | Tracking | Manufacturers

Architectural Builders Supply. All Rights Reserved. 2003-2014





# AbleData

Your source for assistive technology information

Alternate Layout | Contact | Site Map | A-Z Index | Help | Search AbleData...

St

Home Products Resources Library About AbleData My AbleData

## Arrow Lock & Door Hardware / Arrow USA, An ASSA ABLOY Company

100 Arrow Lock Drive  
New Haven, Connecticut 06511  
United States  
**Telephone:** 800-839-3157.  
**Fax:** 800-421-6615.  
**Web:** <http://www.arrowlock.com>.  
**Email:** [customer-service@assaabloyusa.com](mailto:customer-service@assaabloyusa.com).

**Products manufactured by Arrow Lock & Door Hardware / Arrow USA, An ASSA ABLOY Company** (listed alphabetically)

### 1. ARROW Q SERIES LEVER LOCKSET

The Arrow Q Series Lever Lockset is an exterior door lock with lever handle designed for use by individuals with grasping or upper extremity disabilities. Levers are pressure-cast zinc with a brass or bronze rose, and are non-handed to operate bi-directionally. The lockset is through-bolted, requiring a door from 1.75 to 2 inches thick with a 2.13 inch diameter bore through the door. An extra long bearing sleeve offers added support for interlocking tubes and provides extra lever rigidity. The lock chassis and latch housing are steel with zinc dichromate finish for corrosion resistance. **OPTIONS:** OverDrive spring action to ensure that lever returns to a horizontal position. **DIMENSIONS:** Backset (distance from edge of door to lever) is 2.7 inches standard, with 3.75 or 5 inch backset available.



### 2. ARROW W SERIES LEVER LOCKSET

The Arrow W Series Lever Lockset is an exterior door lock with lever handle designed for use by individuals with grasping, fine motor, or upper extremity disabilities. The non-handed lever comes in Broadway, Sierra, or Ventura styles, and is set in a circular plate (rose) assembly. The lockset includes a solid brass, six-pin cylinder with Arrow "A" keyway; a brass latch with brass, bronze, or stainless steel latch front; thru-bolts with support plates; and two six-pin nickel silver keys. **DIMENSIONS:** Rose diameter is 3.31 inches. The distance from the door to the outside of the lever is 2.44 inches. The Broadway and Sierra levers are 4.75 inches long; the Ventura lever is 4.63 inches long. This lockset fits doors 1.75 inches thick. **COLOR:** Polished brass, satin brass, satin bronze, oil rubbed bronze, polished chrome, or satin chrome finish.



### Feedback

Has the information on this page helped you find what you need?

### Did You Know?

If you register for a free [My AbleData account](#), you can save products and resources and quickly find companies and organizations for your state.

Home | Alternate Layout | My AbleData | Contact | Site Map | A-Z Index | Help | Privacy

AbleData, 103 W. Broad Street, Suite 400, Falls Church, VA 22046. 1-800-227-0216. Se habla español. Maintained for the [National Institute on Disability and Rehabilitation Research](#) of the [U.S. Dept. of Education](#) by [New Editions Consulting](#) under Contract No. ED-OSE-13-C-0064.



The records in AbleData are provided for information purposes only. Neither the U.S. Department of Education nor New Editions Consulting has examined, reviewed, or tested any product, device, or information contained in AbleData. The Department and New Editions Consulting make no endorsement, representation, or warranty express or implied as to any product, device, or information set forth in AbleData. The views expressed on this site do not necessarily represent the opinions of the Department of Education, the National Institute on Disability and Rehabilitation Research, or New Editions Consulting.

# 111 Range Polyamide

## Range features

### Application Areas

Hospitals, Rehabilitation Centers, Nursing Homes, Assisted Living Facilities, Clinics, Congregate Housing, Continuing Care Retirement Communities, Independent Living Apartments, Intermediate Care Facilities, Public Buildings, Single and Multi-Family Residential Projects.

### Standards

Products comply with:

- ADA Guidelines
- ANSI

(where applicable)

### Material

Steel core assures long-term stability and safety. Full-color polyamide available in 16 different colors. Materials resistant to corrosion, assures first-class product quality and durability. This applies to all HEWI components through to the material for rose bases and mounting systems made of stainless steel.

### Colors

HEWI Basic colors

buttercup yellow (13), ruby red (33), burgundy (30), coffee brown (80), ultramarine blue (53), steel blue (50), meadow green (73), forest green (70)

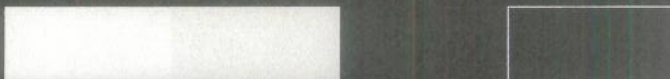
HEWI Neutral colors

pure white (99), biscuit/linen (89) light gray (97), stone gray (95), anthracite gray (92), jet black (90)

HEWI Pastel colors

blossom yellow (16), lilac blue (56)

### HEWI Colors for Levers



99

89

92

90

### HEWI Colors for Pull Handles



13

33

30

80

53

50

73

70

99

89

97

95

92

90

16

56

### Lever handle design

Lever handles are made of high quality polyamide steel core. The mounting bases are through-bolted for secure installation and concealed with 65 mm (2-9/16") rosettes.

### Latches

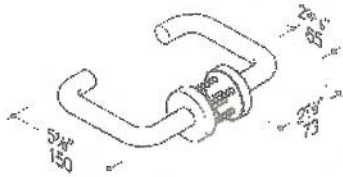
All latches are available with 60 mm (2-3/8") and 70 mm (2-3/4") backsets. Latch bolts reverse easily during installation for right or left hand applications, retract with 24° or 28° rotation, in 90.3 and 90.1 latches respectively. Front plates are adjustable for flat or bevel edged doors and are covered with a stainless steel latch faceplates to conceal the fastening screws.

### Pull handles

Six different models – ø 30 mm (1-3/16"), 33 mm (1-5/16") and 40 mm (1-9/16") in diameter. More models and individual solutions in varying axle sizes possible based on the rod system.

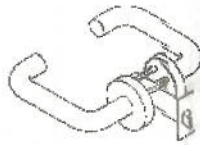
Installation:

One-sided or double-sided installation, possible on all doors. Other mounting options available.



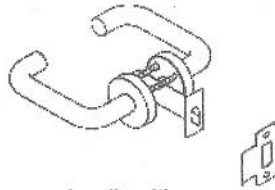
**Lever handle suitable for American Mortise Lock**

908.01.0..*	111.23L12USS*
908.01.1..	111.23L12USS
908.01.2..	111.23L13USS
908.01.5..	111.23L23USS
908.01.9..	111.23L23USS



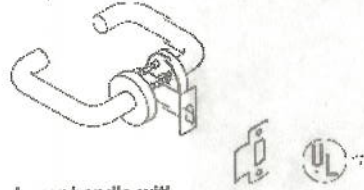
**Lever handle with tubular Privacy Latch**

911.70.0..	904.111.23L52USS
911.70.1..	904.111.23L52USS
911.70.2..	904.111.23L52USS
911.70.3..	904.111.23L52USS



**Lever handle with Tubular Passage Latch**

911.69.4..	90.3.111.23L51USS
911.69.5..	90.3.111.23L51USS
911.69.6..	90.3.111.23L51USS
911.69.7..	90.3.111.23L51USS



**Lever handle with Tubular Passage Latch**

911.69.0..	901.111.23L11USS
911.69.1..	901.111.23L11USS
911.69.2..	901.111.23L11USS
911.69.3..	901.111.23L11USS



**Tubular Passage Latch**

911.67.0..	90.1
911.67.1..	90.1
911.67.2..	90.3
911.67.3..	90.3



**Tubular Privacy latch**

911.67.8..	904
911.67.9..	904



908.23.8..	550.33KSLT
C to C = 11 13/16"	300 mm
ø 1 5/16"	ø 33 mm
D = 3 3/8"	85 mm



908.22.8..	550.33.GKRLT
C to C = 8 1/4"	210 mm
ø 1 5/16"	ø 33 mm
D = 3 3/8"	85 mm



908.15.8..	550.300GKWL
C to C = 11 13/16"	300 mm
ø 1 3/16"	ø 30 mm
D = 3 3/8"	T = 85 mm



908.07.8..	550GKLT
C to C = 8 1/4"	210 mm
ø 1 3/16"	ø 30 mm
D = 3 3/8"	85 mm



908.01.8..	550LT
C to C = 6 13/16"	173 mm
ø 1 3/16"	ø 30 mm
D = 3 3/8"	85 mm

## Home / Facility Access / ADA Accessibility Guidelines

### Technical Requirements

#### 4.13 Doors.

**4.13.1 General.** Doors required to be accessible by [4.1.3](#) and [4.1.6](#) shall comply with the requirements of 4.13.

**4.13.2 Revolving Doors and Turnstiles.** Revolving doors or turnstiles shall not be the only means of passage at an accessible entrance or along an accessible route. An accessible gate or door shall be provided adjacent to the turnstile or revolving door and shall be so designed as to facilitate the same use pattern.

**4.13.3 Gates.** Gates, including ticket gates, shall meet all applicable specifications of 4.13.

**4.13.4 Double-Leaf Doorways.** If doorways have two independently operated door leaves, then at least one leaf shall meet the specifications in [4.13.5](#) and [4.13.6](#). That leaf shall be an active leaf.

**4.13.5 Clear Width.** Doorways shall have a minimum clear opening of 32 in (815 mm) with the door open 90 degrees, measured between the face of the door and the opposite stop (see [Fig. 24\(a\)](#), [\(b\)](#), [\(c\)](#), and [\(d\)](#)). Openings more than 24 in (610 mm) in depth shall comply with [4.2.1](#) and [4.3.3](#) (see [Fig. 24\(e\)](#)).

EXCEPTION: Doors not requiring full user passage, such as shallow closets, may have the clear opening reduced to 20 in (510 mm) minimum.

**4.13.6 Maneuvering Clearances at Doors.** Minimum maneuvering clearances at doors that are not automatic or power-assisted shall be as shown in [Fig. 25](#). The floor or ground area within the required clearances shall be level and clear.

EXCEPTION: Entry doors to acute care hospital bedrooms for in-patients shall be exempted from the requirement for space at the latch side of the door (see dimension "x" in [Fig. 25](#)) if the door is at least 44 in (1120 mm) wide.

**4.13.7 Two Doors in Series.** The minimum space between two hinged or pivoted doors in series shall be 48 in (1220 mm) plus the width of any door swinging into the space. Doors in series shall swing either in the same direction or away from the space between the doors (see [Fig. 26](#)).

**4.13.8\* Thresholds at Doorways.** Thresholds at doorways shall not exceed 3/4 in (19 mm) in height for exterior sliding doors or 1/2 in (13 mm) for other types of doors. Raised thresholds and floor level changes at accessible doorways shall be beveled with a slope no greater than 1:2 (see [4.5.2](#)). [Appendix Note](#)

**4.13.9\* Door Hardware.** Handles, pulls, latches, locks, and other operating devices on accessible doors shall have a shape that is easy to grasp with one hand and does not require tight grasping, tight pinching, or twisting of the wrist to operate. Lever-operated mechanisms, push-type mechanisms, and U-shaped handles are acceptable designs. When sliding doors are fully open, operating hardware shall be exposed and usable from both sides. Hardware required for accessible door passage shall be mounted no higher than 48 in (1220 mm) above finished floor. [Appendix Note](#)

**4.13.10\* Door Closers.** If a door has a closer, then the sweep period of the closer shall be adjusted so that from an open position of 70 degrees, the door will take at least 3 seconds to move to a point 3 in (75 mm) from the latch, measured to the leading edge of the door. [Appendix Note](#)

**4.13.11\* Door Opening Force.** The maximum force for pushing or pulling open a door shall be as follows:

- (1) Fire doors shall have the minimum opening force allowable by the appropriate administrative authority.
- (2) Other doors.
  - (a) exterior hinged doors: (Reserved).
  - (b) interior hinged doors: 5 lbf (22.2N)
  - (c) sliding or folding doors: 5 lbf (22.2N)

These forces do not apply to the force required to retract latch bolts or disengage other devices that may hold the door in a closed position. [Appendix Note](#)

**4.13.12\* Automatic Doors and Power-Assisted Doors.** If an automatic door is used, then it shall comply with [ANSI/BHMA A156.10-1985](#). Slowly opening, low-powered, automatic doors shall comply with [ANSI A156.19-1984](#). Such doors shall not open to back check faster than 3 seconds and shall require no more than 15 lbf (66.6N) to stop door movement. If a power-assisted door is used, its door-opening force shall comply with [4.13.11](#) and its closing shall conform to the requirements in [ANSI A156.19-1984](#). [Appendix Note](#) [A4.12.2](#)



# AbleData

Your source for assistive technology information

Alternate Layout | Contact | Site Map | A-Z Index | Help | Search AbleData... St

Home Products Resources Library About AbleData My AbleData

## Chicago Faucet Company, A Geberit Company

2100 S. Clearwater Dr.  
Des Plaines, Illinois 60018-5999  
United States

**Telephone:** 847-803-5000.

**Fax:** 847-803-5454.

**Web:** <http://www.chicagofaucets.com>.

**Email:** [customerservice.us@chicagofaucets.com](mailto:customerservice.us@chicagofaucets.com).

**Products manufactured by Chicago Faucet Company, A Geberit Company (listed alphabetically)**

### 1. **WRISTBLADE HANDLES (MODEL 317-PRJKCP)**

Wristblade Handles, model 317-PRJKCP, are dual blade lever faucet handles designed to allow greater access to persons with limited hand dexterity or strength. Handles come in a pair with color coded buttons for hot and cold water. DIMENSIONS: Each blade is 4 inches long. COLOR: Chrome finish with red button for hot water control handle and blue button for cold water control handle.



#### Feedback

Has the information on this page helped you find what you need?

#### Did You Know?

If you register for a free [My AbleData account](#), you can save products and resources and quickly find companies and organizations for your state.

Home | Alternate Layout | My AbleData | Contact | Site Map | A-Z Index | Help | Privacy |

AbleData, 103 W. Broad Street, Suite 400, Falls Church, VA 22046. 1-800-227-0216. Se habla español.  
Maintained for the [National Institute on Disability and Rehabilitation Research](#) of the [U.S. Dept. of Education](#) by [New Editions Consulting](#) under Contract No. ED-OSE-13-C-0064.



The records in AbleData are provided for information purposes only. Neither the U.S. Department of Education nor New Editions Consulting has examined, reviewed, or tested any product, device, or information contained in AbleData. The Department and New Editions Consulting make no endorsement, representation, or warranty express or implied as to any product, device, or information set forth in AbleData. The views expressed on this site do not necessarily represent the opinions of the Department of Education, the National Institute on Disability and Rehabilitation Research, or New Editions Consulting.



# AbleData

Your source for assistive technology information

Alternate Layout | Contact | Site Map | A-Z Index | Help | Search AbleData...

St

Home Products Resources Library About AbleData My AbleData

## Single Lever Faucet

Products are listed alphabetically.

Page 1 of 1

### 1. [1/2-INCH & 3/4-INCH WALL VALVES - LEVER HANDLE \(MODELS 818/013 & 818/014\)](#)

The 1/2-Inch and 3/4-Inch Wall Valves - Lever Handle are single-lever shower controls designed for use by individuals with fine motor or grasping disabilities. This wall-mounted, cast-brass valve has a single-lever handle to control on/off and volume functions in a shower system. The valve is available with either 1/2-inch (model 818/013) or 3/4-inch (model 818/014) NPT National Pipe Thread standard threading. COLOR: Brushed nickel, diamond, platinum nickel, or polished chrome finish....[\[More Information\]](#)



### 2. [MELROSE SINGLE HANDLE KITCHEN FAUCET WITH PULL-OUT SPOUT \(MODEL D456513\)](#)

The Melrose Single Handle Pull-Out Kitchen Faucet, model D456513, is a single lever faucet designed for use by individuals with upper extremity, fine motor, or grasping disabilities. The unit features a single lever handle with a two-function pull-out spout (spray and aerated stream), and comes with a matching brass soap/lotion dispenser. DIMENSIONS: The unit fits 1 3/8 to 1.5 inch diameter mounting hole. WARRANTY: Limited lifetime warranty for manufacturing defects....[\[More Information\]](#)



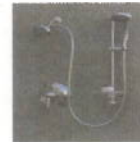
### 3. [SINGLE HANDLE PRESSURE BALANCE TUB/SHOWER FITTINGS \(MODEL C0-44-720\)](#)

The Single Handle Pressure Balance Tub/Shower Fitting, model C0-44-720, is a single lever shower faucet control designed for use by individuals with grasping or upper extremity disabilities. The wrist blade lever handle can be activated manually, or by wrist or elbow. The system has an adjustable shower head, solid cast brass housing, a ceramic cartridge, and pressure balance capability to maintain a temperature range of plus or minus 3 degrees Fahrenheit. CAPACITY: 2.5 gallons per minute (gpm) ...[\[More Information\]](#)



### 4. [ZOE MARINER II PRESSURE BALANCING SHOWER FAUCET SYSTEM](#)

The Zoe Mariner II Pressure Balancing Shower Faucet System is a lever-handle shower faucet with a showerhead on an adjustable bar and a handshower on a flexible hose, designed for use by individuals with mobility disabilities. The system has a pressure-balancing valve to prevent scalding. The Showerhead and handheld body shower both have four spray settings. A diverter valve controls water from shower head to handheld sprayer. Fixtures are made of brass. A soap tray is also included. DIMENSIONS:...[\[More Information\]](#)



#### Quick Product Links

- [1/2-INCH & 3/4-INCH WALL VALVES - LEVER HANDLE \(MODELS 818/013 & 818/014\)](#)
- [MELROSE SINGLE HANDLE KITCHEN FAUCET WITH PULL-OUT SPOUT \(MODEL D456513\)](#)
- [SINGLE HANDLE PRESSURE BALANCE TUB/SHOWER FITTINGS \(MODEL C0-44-720\)](#)
- [ZOE MARINER II PRESSURE BALANCING SHOWER FAUCET SYSTEM](#)

Page 1 of 1

[View discontinued Products \(4\)](#)

Home | Alternate Layout | My AbleData | Contact | Site Map | A-Z Index | Help | Privacy |

AbleData, 103 W. Broad Street, Suite 400, Falls Church, VA 22046. 1-800-227-0216. Se habla español. Maintained for the [National Institute on Disability and Rehabilitation Research](#) of the [U.S. Dept. of Education](#) by [New Editions Consulting](#) under Contract No. ED-OSE-13-C-0064.



The records in AbleData are provided for information purposes only. Neither the U.S. Department of Education nor New Editions Consulting has examined, reviewed, or tested any product, device, or information contained in AbleData. The Department and New Editions Consulting make no endorsement, representation, or warranty express or implied as to any product, device, or information set forth in AbleData. The views expressed on this site do not necessarily represent the opinions of the Department of Education, the National Institute on Disability and Rehabilitation Research, or New Editions Consulting.





## **SPECIFICATIONS**



## Outdoor Recreation - ADA Standard Specifications

### DIVISION 2 - SITEWORK

#### 02209 Stripping Topsoil

##### 02209.1 General

The General Contractor shall strip available topsoil within the limits of construction as required. Stripped topsoil shall be stockpiled in a designated area where it will not interfere with subsequent construction operations. Stored topsoil shall be used as required during the finish grading operations.

#### 02210 Site Grading

##### 02210.1 General

The Contractor shall grade all areas required to achieve the design subgrades and final grades as defined by the drawings and all areas disturbed during excavation or borrow operations at the completion of those operations.

##### 02210.2 Construction Methods

Final surfaces shall be uniform and smooth with rounded tops and bottoms. Grading of excavated or borrow areas shall promote free water drainage, Tolerances after final placement from the design subgrades as required by the drawings are as follows:

Surface for Stand of Grass:	± 1"
Subgrade for Topsoil:	± 1"
Stone Fill Subgrade:	± 1"
Embanked and Excavated Surfaces	± 1"
Subgrade for Select Gravel:	± 1"
Concrete Slab Subgrade:	+0" - 1"
Subgrade for Graded Crushed Stone	+0" -1"
Final Compacted Grade for Graded Crushed Stone	+1" -0"

#### 02216 Embankment

##### 02216.1 General

Work under this section shall consist of the reuse of suitable excavated material or furnishing material at the Contractor's expense to construct embankments where and as required by the proposed grades and contour lines as shown on the drawings.

##### 02216.2 Materials

1. <u>Gradation Sieve Size</u>	<u>Percent Passing by Weight</u>
4 inch	100
No. 40	0 - 75
No. 200	0 - 15

Embankment used within 2 ft. of structures shall have 100% passing of a 2 inch sieve.

2. Soundness

The material shall be substantially free of shale, organic material, frozen materials or other soft, poor durability particles.

Excavated material submitted for use as embankment shall conform to the above requirements.

02216.3 Construction Details

After the foundation under the embankment areas has been stripped of topsoil/organic material and excavated to the grades required by the drawings, all free water shall be removed, and the foundation leveled and compacted. Immediately prior to placement of the first layer of embankment material, the Contractor shall scarify the foundation.

The distribution and gradation of material shall be free from lenses, pockets, streaks, or layers of material differing substantially in texture or gradation from the surrounding material. The placing operations shall be such that the fill, when compacted, will be blended sufficiently to secure the best practicable degree of compaction and stability. Successive loads of fill shall be dumped so as to produce the best practicable distribution of the material. Should cobbles and rock fragments of larger than 4 inches be found in otherwise approved fill, they shall be removed by the Contractor before the fill is rolled and compacted. Material shall be placed in continuous, approximately horizontal layers not more than 8 inches in thickness before compaction. No layer shall be placed until the previous layer has been approved by the Engineer. When filling behind abutments and similar structures, all material shall be placed and compacted in front of the walls prior to placing fill behind the walls to a higher elevation. It shall be the Contractor's responsibility to properly place and compact all fill. At the close of each days' work, the working surface shall be crowned and shaped for proper drainage. Rutting of a compacted lift under the action of earth-moving equipment shall not necessarily be interpreted as due to faulty compaction or moisture control during compaction, but shall be considered as constituting damage to a compacted lift requiring full repair prior to placing any overlying fill. Repair shall be at the Contractor's expense.

The selection of compaction equipment shall meet the requirements of this subparagraph and be approved by the Engineer. Any equipment not principally manufactured for compaction purposes and equipment which is not in proper working order in all respects shall not be approved or used. The Engineer will also withhold approval of any compactor for which the Contractor cannot furnish manufacturer's specifications covering data not obvious from a visual inspection of the equipment and necessary to determine its classification. In areas inaccessible to conventional compactors, or where maneuvering space is limited, impact rammers, plate or small drum vibrators, or pneumatic button-head compaction equipment may be used with layer thickness not exceeding 6 inches before compaction. Hand tampers shall not be permitted. The Engineer may approve or reject any of the above described mechanical devices based upon the results of appropriate on-site field test. Such approval by the Engineer will be based upon the results of appropriate on-site field tests. Regardless of equipment used, all portions of the embankment shall be

compacted to 90% Standard Proctor Maximum Density (AASHTO T-99) as per Section 02201.

02224 SELECT GRAVEL

02224.1 General

The work under this section consists of furnishing, placing and compacting select gravel where called for and as detailed in conformance with lines, grades and typical sections as shown on the drawings.

02224.2 Materials

Material shall consist of clean, durable gravel or crushed stone free from coating. Gradation of gravel or stone shall be as follows with percent passing calculated by weight:

<u>Select Gravel</u>	
<u>Sieve</u>	<u>Percent Passing</u>
2"	100
1/4"	30 - 65
No. 40	5 - 40
No. 200	0 - 10

Soundness: Materials furnished under this item shall be substantially free of shale, organic or other soft, poor durability particles. A visual inspection of particle composition by the Engineer will generally be the basis for acceptance. Where the State elects to test for this requirement, a Magnesium Sulfate Soundness Loss exceeding 35 percent will be cause for rejection.

Contamination: Contamination of the Select Gravel with any deleterious material, such as silt, clay, mud, ice, snow or organic material, through any cause whatsoever, shall be corrected by the Contractor by excavation and replacement of the material in the affected area.

Sampling: Samples and certified gradations shall be furnished by the Contractor to the Department and approval of these samples must be received prior to delivery or placement of the material.

02224.3 Compaction

All material shall be placed in uniform horizontal layers not exceeding 6" in thickness before compaction. All portions of each layer shall be mechanically compacted to the percentage of the Standard Proctor Maximum Density (AASHTO T-99) as follows, unless noted otherwise. Compaction equipment approval shall be made by the Engineer.

1. Structures (entire area within 10 feet outside perimeter) 95%
2. Building Slabs and Steps: 95%
3. Lawn or Unpaved Areas: 90%
4. Pavements and Walkways: 95%
5. Pipes and Tunnels: 95%
6. Pipe Bedding: 100%

02225 CRUSHED STONE

02225.1 General

The work under this section consists of furnishing, placing and compacting crushed stone where called for and as detailed in conformance with lines, grades and typical sections as shown on the drawings.

02225.2 Materials

Material shall consist of clean, coating free, durable, sharp angled fragments of crushed stone, crushed ledge rock, or blends thereof that conform to the specific requirements of the following. Shale will not be acceptable.

Crushed Stone used in Absorption Beds shall be washed and free of fines.

Gradation: Crushed stone sizes specified on the drawing, shall meet the gradation requirements of Table 2-1.

TABLE 2-1 (1)  
GRADATION OF CRUSHED STONE

Size Desig.	4"	3"	2 1/2"	2"	1 1/2"	1"	1/2"	1/4"	1/8"	No. 80 Sieve
Screening (2)							100	90-100		
1B								100	90-100	0-15
1A							100	90-100	0-15	
1ST							100	0-15		
1						100	90-100	0-15		
2					100	90-100	0-15			
3A				100	90-100	0-15				
3			100	90-100	5-70	0-15				
4A		100	90-100		0-20					
4	100	90-100		0-15						
5	90-100	0-15								

(1) Percentage by weight passing the following square openings.

(2) Screenings shall include all of the fine material passing a 1/4" screen.

All crushing plants shall be fitted with tailing chutes so that no aggregate will reach the bins other than that which passes through the proper screens

Soundness: Material furnished under this items shall be substantially free of shale or other soft, poor durability particles. A visual inspection of particle composition by



the Engineer will generally be the basis for acceptance. Where the State elects to test for this requirement, a Magnesium Sulfate Soundness Loss exceeding 35 percent will be cause for rejection.

Contamination: Contamination of the crushed stone with any deleterious material, such as silt, clay, mud, ice, snow or organic materials, through any cause whatsoever, shall be corrected by the Contractor by excavation and replacement of the material in the affected areas.

Sampling: Samples and certified gradations shall be furnished by the Contractor to the Department and approval of these samples must be received prior to delivery or placement of the material.

02225.3 Compaction

All material shall be placed in uniform horizontal layers not exceeding 6" in thickness before compaction. All portions of each layer shall be mechanically compacted to the satisfaction of the Engineer. Compaction equipment shall be approved by the Engineer.

02226 AGGREGATE SURFACING

02226.1 General

The work under this section consists of furnishing, placing and compacting aggregate surfacing stone as specified herein and as shown on the drawings.

02226.2 Materials

Material shall consist of clean, coating free, durable, sharp angled fragments of crushed stone, crushed ledge rock, or blends thereof that conform to the specific requirements of the following. Shale will not be acceptable.

Sieve Size	Percent Passing by weight
3/4"	100
1/2"	90-100
3/8"	80-90
#4	60-65
#8	45-50
#16	25-35
#30	20 - 25
#50	10-20
#100	10-15
#200	5 - 10

Material furnished under this item shall be crushed stone from a limestone base (1300-ASTM Shoulder Stone source 1-10r).

For Accessible Parking and Routes:

Material of acceptable gradation shall be used to construct a test section for final approval. A 3' x 10' test section shall be placed and compacted. Final acceptance of this test section shall be based on the stability of the compacted surface and its ability to resist rutting under bicycle and wheel chair loads. The surface shall be considered stable if the front 8" castor of a wheel chair with a 45 pound load on the wheel ruts the surface less than 0.3 inches.

02226.3 Construction

All material shall be placed in uniform horizontal layers not exceeding 6" in thickness before compaction. All portions of each layer shall be mechanically compacted to the satisfaction of the Engineer. Compaction equipment shall be approved by the Engineer. The finished surface shall have a maximum 2% cross slope and 8% maximum running slope. Compact the stone paving material to 95% Standard Proctor maximum density (AASHTO T-99) as per Section 02201.

02228 Disposal of Surplus and Unsuitable Excavation Materials

02228.1 General

The Contractor shall remove all unsuitable and excess excavated material from the site. The Engineer, at his option, may order the stockpiling of otherwise suitable excess excavated material at an on-site location for future use. The Contractor shall bear all costs of either the stockpiling or removal from site. Excess material accepted and stockpiled at the site shall become the property of the Department.

02260 Finish Grading

02260.1 General

Finish grades shall be established in all areas where existing contours are to be changed as shown on the drawings and all disturbed areas shall be restored at original grades. The degree of finish before seeding shall be smooth, compacted, and free from irregular surface changes.

02277 Geosynthetic Fabric

02277.1 General

The Contractor shall provide and install Geosynthetic fabric where and as shown on the drawings, and in accordance with all manufacturer's recommendations.

NOTE: ONLY areas called out on the drawings are required to receive fabric.

02277.2 Materials

- b. Erosion Control Fabric - Photo and biodegradable plastic Curlex Blanket as manufactured by American Excelsior Co.
- c. Turbidity Curtain - Silt Curtain, Mark I or Mark II as manufactured by American boom & Barrier. See Section 01567, Pollution Control.

- d. Silt Fence Erosion Control - woven polypropylene fabric - Envirofence by Mirafi. See Section 01567, Pollution Control.  
Fabricated Units  
Posts: 36" long, 2" hardwood or "T" or "U" type steel  
Fence: Woven wire, 14 ½ ga., 6" max. mesh opening  
Filter Cloth: Mirafi 100X or equal.
- e. Road Base and Structure Reinforcement - Woven polypropylene fabric, Mirafi 600X, "Geosynthetic Fabric."
- f. Separation Fabric – Non-woven polypropylene/polyethylene fabric, Mirafi 140N, "Separation Fabric".
- g. Parking Area and Wetland Areas - Tensar Geogrid BX 1100. "Geogrid"

02277.3 Construction

The Contractor shall provide and install silt fence as required and as detailed on the drawings. It shall be the Contractor's option to provide fabricated reinforced silt fence or prefabricated units, unless otherwise noted. Where prefabricated units are used, they shall be installed in accordance with the detail shown on the drawings. In dry ground and shallow water installations, the bottom flap of filter cloth shall be firmly embedded into undisturbed or stabilized grade. Embedment shall resist pullout and prevent flow under the installation.

In deep water installations, or where current, wind and wave action are a consideration, a floating Turbidity Curtain shall be used.

02500 PAVING AND SURFACING

02570 Asphalt Concrete

02570.1 General

The Contractor shall install new asphalt concrete pavement as detailed on the drawings and specified herein.

02570.2 Materials

- Select Gravel - as per Section 02224.
- Backfill Material - as per Section 02221.
- Asphalt Pavement - Conform to DOT Section 400, Bituminous Pavement
  - Asphalt Binder - DOT Section 403, Table 401-1, Type 3
  - Asphalt Top course - DOT Section 403, Table 401-1, Type 6

02570.2 Construction

- A. General - Conform to DOT Section 400 Bituminous Pavements
- B. Asphalt Concrete
  - 1) Asphalt Binder - DOT Section 403, Table 401-1, Type 3.
  - 2) Asphalt Top course - DOT Section 403, Table 401-1, Type 6

02570.3 Construction Details

- A. General - Conform - DOT Section 400, Bituminous Pavements
- B. Asphalt Concrete - DOT Section 403, Hot Mix Asphalt Pavement
- C. Trenching, Backfilling & Compaction - Per Section 02221
- D. Saw cuts shall be made at right angles to roadway direction

NOTE: DOT Tables and Sections referenced are from NYS Dept. of Transportation Standard Specifications, latest edition with Addendum.

02580 Pavement Marking

02580.1 General

The Contractor shall furnish and apply pavement marking paint at the locations and in accordance with patterns indicated on the contract drawings or as ordered by the Engineer and in conformance with these specifications.

02580.2 Materials

Traffic Paint shall be NYS DOT Materials Bureau approved Style BP4603 white/TM-5584 and BP4602 Yellow/TM 5585 by Baltimore Paint & Chemical Company (tel. (800) 368-2026.

02580.3 Construction Details

- The Contractor shall be responsible for cleaning the pavement surfaces as required by the manufacturer to the satisfaction of the engineer, of dust, dirt, and other foreign material which may be detrimental to the adhesion of the paint film.
- The paint shall be applied only on thoroughly dry pavement when the free air temperature is at or above 50 degrees and when the weather is otherwise favorable in the opinion of the Engineer.
- Painted pavement markings shall, unless otherwise noted herein, be applied with atomizing spray type striping machines. The equipment shall be compatible with and suitable for the application of the type of paint being used and shall be approved by the Engineer. Applied markings shall have clean-cut edges, true and smooth alignment and a uniform film thickness of  $15 \pm 1$  mil.
- Upon approval by the Engineer, the Contractor may apply paint, utilizing rollers, and/or brushes for marking gore areas, turn arrows, letters, stop bars, short temporary detours, or other such areas as directed by the Engineer.

02646 Water Stand

02646.1 General

The Contractor shall furnish and install complete water stands as specified herein and as shown on the drawings.

02646.2 Materials

- A. Trenching Backfill and Compaction as per Section 02221.
- B. Galvanized steel pipe and fittings - as per Section 02610.
- C. Plastic pipe and fittings - as per Section 02615.
- D. Stop and Drain Valve - as per Section 02642.
- E. Faucet shall be polished chrome. Self Closing Lever Handle, Bald Nose faucet,  $\frac{1}{2}$ " MPT Model 40SC by Woodford Mfg.
- F. Drain Pipe Sump - as per Section 02732.
- G. Treated Wood - sized as shown on the drawings, commercial grade SYP, ACQ pressure treatment in accordance with AWPA C1 and P5. Retention of Treatment shall be 0.40 lb/cf.
- H. Crushed Stone - as per Section 02225.
- I. Tapping Saddle - Nylon coated Iron service saddle with wide stainless steel strap model 315 by Smith Blair, Inc.

02646.3

Construction

The Contractor shall install water stand assemblies as shown on the drawings and as specified herein. Riser piping, valve and valve box shall be installed plumb.

02700 SEWERAGE & DRAINAGE

02710 Subsurface Drains

02715 Polyethylene Drainage Pipe & Fittings

02715.1 General

The Contractor shall furnish and install smooth interior corrugated polyethylene piping of the size, type and at the locations shown on the drawings, as specified herein and as detailed on the drawings.

02715.2 Materials

- a. Corrugated polyethylene tubing conforming to AASHTO M294, Style N12 Piping. Pipe manufactured by Advanced Drainage Systems, Inc., Columbus, Ohio; (614) 457-3051.
- b. Trenching, Backfill and Compaction as per Section 02221.

02715.3 Construction

Installation of corrugated polyethylene tubing shall be in conformance with manufacturer's recommendations and as specified elsewhere.

02800 SITE IMPROVEMENTS

02801 Outdoor Drinking Fountain

02801.1 General

Under this item, the Contractor shall furnish and install outdoor drinking fountains where shown on the plans in accordance with the plan details and the manufacturer's recommendation for the selected model. The fountain shall be accessible based upon the latest guidelines and be vandal resistant. At least one fountain, but no less than fifty percent (50%) of all fountains, shall comply with requirements for people who use a wheelchair and at least one fountain, but no less than fifty percent (50%) of all fountains, shall comply with requirements for standing persons. Fountains shall be located so it adjoins an outdoor recreation access route or greater. Clear ground space of at least 48" in length and 30" in width shall be centered on the fountain. Spout outlet height for wheelchair use shall be 36" max and for standing persons spout height shall be 38" to 43" max above level ground. Spout location for a forward approach shall be 15" minimum from the vertical support and 5" max from the front edge of the drinking fountain including bumpers. Spout location for a parallel approach shall be 3 1/2" max from the front edge of the drinking fountain including bumpers. Toe clearance shall be 9" and knee clearance shall be between 9" and 27" above level ground.

02801.2 Materials

Outdoor drinking fountains and all its parts shall meet all requirements for model 440SM by Most Dependable Fountains, Arlington, TN, 1-800-552-6331, [www.mostdependable.com](http://www.mostdependable.com) or approved equivalent. The finish shall be powder coated and the color shall be black, brown or green. The Contractor shall submit catalogue cuts to the Engineer for approval in writing. Drawings shall show clearly all materials, finishes and connecting methods.

02801.3 Installation

Surface installation shall be anchored to the top of an existing surface (concrete, etc.) with anchor bolts through a mounting plate or equal that is welded to the fountain. The fountain shall have an access door that is vandal resistant with stainless steel screws. Installation shall be approved by the Engineer. If recommended by the manufacturer, a surface mount carrier shall be included unless otherwise approved by the Engineer.

02845 Parking Stops

02845.1 General

The Contractor shall furnish and install parking stops at the locations shown on the drawings or as ordered by the Engineer and in conformance with these specifications.

02845.2 Materials

Parking stops shall be 100% recycled composite material, 6 ft. in length, gray in color, as manufactured by:

Collins & Aikman: Contact Larry Umstadter



311 Smith Industrial Blvd.  
Dalton, GA 30722  
Telephone: (706) 259-2161 or (800) 241-4902 Ext. 2161  
Fax: (706) 259-2192

02845.3 Installation Requirements

Parking stops six foot in length are manufactured with three mounting holes to accept a 5/8" dia. rebar. The rebar shall be a minimum of 18" in length and galvanized as per Section 05035. The rebar shall be installed flush with the top surface of the parking stop.

02846 Miscellaneous Signs and Posts

02846.1 General

The Contractor shall furnish and install miscellaneous signs at the locations shown on the drawings or as ordered by the Engineer and in conformance with these specifications.

02846.2 Materials

1. Barrier Free Parking Sign shall be 12" wide x 18" high reflective aluminum, Style No. 80656 by Seton or equal. Sign shall have white symbol of access on blue background with green "RESERVED PARKING" lettering.
2. "NO PARKING ANY TIME" Sign shall be 12" wide x 18" high reflective aluminum, Style No. 80597A Seton or equal
3. Sign Posts - Solid Western Red Cedar posts with clear natural stain as manufactured by Ryther-Purdy Lumber Company, Old Saybrook, CT. telephone:(203) 388-4405, TypeW 5"x5"x 12 ft. long, or an approved equal.
4. Site ID Sign Posts - Solid Western Red Cedar posts with clear natural stain as manufactured by Ryther-Purdy Lumber Company, Old Saybrook, CT. telephone:(203) 388-4405, 8"x8"x 14 ft. long, Catalog #R810 or an approved equal. Cross arm length shall be as shown of the drawings. Bracket shall support a maximum 90 lb. sign (Sign provided by others).

02846.3 Installation

The posts shall be set plumb and firmly installed 4'-0" below finished grade and 8'-0" above finished grade. Sign height shall be measured above the finished grade elevation to the bottom edge of sign. Sign height above finished grade shall be no less than 60 in. and no more than 80 in. Attach signs at top and bottom with stainless steel bolts and washers, long enough to penetrate posts.

02871 Park Bench

02871.1 General

The Contractor shall furnish and install Park Benches at the locations shown on the drawings and in conformance with these specifications. Benches shall be located and

selected based on the latest accessibility guidelines.

02871.2 Materials

- a. Park Benches shall be the 6' length, Model 8, with Ipe or recycled plastic slats with steel frame as manufactured by Victor Stanley, Inc. Dunkirk, Maryland 1 (800) 368-2573, [www.victorstanley.com](http://www.victorstanley.com), or an approved equal. The benches shall be equipped with base plates or equal for mounting on the surface of a concrete pad under the bench (pad not to extend beyond the perimeter of the bench seat) or on concrete sidewalks. Armrests shall be accessible and shall be on one side of the bench only.

02871.3 Installation

Park Benches shall be mounted on the surface of the concrete at the location on the drawings, with anchoring devices as recommended by the bench manufacturer, and approved by the Engineer.

02875 Porta-Vault

02875.1 General

The Contractor shall provide all labor and materials to construct a porta-vault at the location shown on the site plan and as detailed on the drawings and specified herein.

02875.2 Materials

A. Wood Framing

1. Size - as shown on drawings
2. Species & Grade - No. 2 Pressure Treated Dense SYP or S.P.F. No. 2.
3. Pressure Treatment - As specified, See Section 06310, Wood Treatment
4. Finish - Stained as specified, See Section 09900.

B. Wood Siding

1. Size - Nominal Sizes; 1" x 8" boards, 1"x 2" battens, squared edges, solid knots
2. Species & Grade - Rough Sawn Cedar, Grade #2 common.
3. Finish - Stained as specified, See Section 09900.

C. Fasteners

All bolts and washers shall be stainless steel types 304 or 316 as detailed on the drawings. All nails must be hot dipped galvanized box nails sufficiently long to penetrate the posts at least 1 ½" and 1 1/4" into nailers.

D. Plastic Holding Tank - 60 Gallon Polyethylene holding tank w/ vent pipe and seat, Model #PJ03-0008 by POLYJOHN.

E. Grab Bars - Grab Bars shall be fabricated from 1 1/2 inch diameter, 16 gauge wall, type 304 stainless steel with a satin finish. Configurations shall be the standard types of the manufacturer which conforms to the layouts required by the drawings. Anchors, fasteners, flanges, etc., shall be as supplied or recommended by the grab bar manufacturer.

F. Door Gate Spring - Model #760865 by STANLEY

G. Wire Screen - Screening shall be aluminum

H. Roofing Materials - Fiberglass Shingles - see specification Section 07310.

I. Exterior Signage - Sign shall be 8" x 8" plastic laminate. Signs shall have

graphic within 6" border area, 5/8" high letters, raised 1/32" from face of sign and Grade 2 Braille raised 1/32" from face of sign. Signs shall be similar to SERIES 200A Sand Carved as manufactured by Mohawk sign systems, Schenectady, NY (518)370-3433 (see detail drawing for sign required). Signs shall be mounted on the wall adjacent to the latch side of the entrance doors. Mounting height shall be 60 in. above the finish floor to the centerline of the sign. Mount signs to wall using concealed holes and screws in exterior black anodized aluminum frame.

J. Caulking/Sealant - Dow Corning 786 Silicone Sealant – M.

02900 LANDSCAPING

02920 Topsoil

02920.1 General

The Contractor shall furnish and place topsoil in all areas to be seeded as indicated on the drawings and as directed by the Engineer. The minimum thickness of topsoil shall be four (4) inches unless otherwise specified. Attention shall be made to maintain all design grades as indicated on the drawings and as directed by the Engineer. Contact the Landscape Architect at the Division of Operations at 518-402-9084 with any questions.

02920.2 Materials

Topsoil shall be the surface layer of soil and shall be free from refuse, material toxic or otherwise deleterious to plant growth, subsoil, woody vegetation, and stumps, roots, brush, stones, clay lumps or similar objects. Sod and herbaceous growth such as grass and weeds need not be removed but shall be thoroughly broken up and mixed with the soil during handling operations.

Topsoil shall be placed from established stockpiles, per Section 02209 – Stripping Topsoil, and/or from approved material supplied by the Contractor and shall be tested and approved before placement and shall meet the following requirements:

1. The pH shall be between 5.5 and 7.6
2. The organic content shall not be less than 6% nor more than 12% (dry weight Basis)
3. The gradation shall be:

<b>Sieve Size</b>	<b>% Passing by Weight</b>
2 inch	100
1 inch	85 to 100
1/4 inch	65 to 100
No. 200	20 to 80

The maximum size of objects other than stones shall be two inches.

4. All topsoil shall be tested by the Contractor with the results sent to the Engineer for approval. The Contractor may amend topsoil with approved materials and by approved methods to meet the above specifications. Materials used to amend the organic content of topsoil may be, or may include, approved recycled or

composted materials that are either commercially or municipally produced. Amendments shall not contain any material that is deleterious to soil structure, plant growth or seed germination.

02920.3 Construction Details

- A. Preparation of Areas to Receive Topsoil - The subsoil within the areas to be covered by topsoil shall be graded so that the completed work after topsoil is placed shall conform to the specified lines and grades. Where directed, the Contractor shall scarify or till the surface of the subsoil before the topsoil is placed to assure bonding of the topsoil with the subsoil. Tillage shall be accomplished in such a manner that depressions and ridges formed by such tillage shall be parallel to the contours.
- B. Placing and Spreading of Topsoil - Topsoil in an unworkable condition due to excessive moisture, frost or other conditions *shall not be placed* until it is suitable for spreading. After the topsoil is placed and spread to the specified thickness, all large stiff clods, rocks, roots, or other foreign matter shall be cleared and disposed of by the Contractor as approved so that the finished surface will be acceptable for subsequent work such as seeding, sodding, mulching or planting.
- C. Restoration of Stockpiles  
The sites of all stockpiles and areas adjacent thereto which have been disturbed by the Contractor shall be graded as required and put into a condition acceptable for seeding. Surplus topsoil shall be used to flatten embankment slopes or placed in other locations as approved.
- D. Mulching: All seeded areas shall be mulched. Mulch shall be spread, by hand or machine, uniformly in a continuous blanket of sufficient thickness to hide the soil from view, taking care not to over apply. Mulch shall be applied within three (3) days of seeding and shall be applied separately from the seed. Anchorage is required unless otherwise approved.
- E. Liability: When it is determined that any seeded area has failed for any reason to produce a satisfactorily established growth after a suitable period of time has elapsed, the Contractor shall repeat all the work required until a satisfactory growth has been established. Any work to be corrected shall be at the Contractor's expense. The contract will not be accepted until a satisfactory growth has been established in all areas.
- F. Care During Construction: The Contractor shall care for all seeded areas until final acceptance of the contract. Care shall consist of providing protection against traffic; and shall consist of repairs to any seeded area damaged by wind, water, fire, traffic or other causes. Damaged areas shall be corrected to the design grade of the area prior to seeding and then shall be re-established as originally specified. All areas shall be kept in a healthy growing condition by watering, controlling weeds and by any other necessary operations.

Mowing Requirements:

Turf Areas - The Contractor shall mow all established turf areas seeded on I on 3 or flatter slopes unless otherwise directed. Areas shall be mowed to a height of three (3) inches when growth reaches five (5) inches and thereafter as directed by the Engineer.

Wildflower Areas - The Contractor shall mow to a height of six (6) inches all established wildflower areas once a year in the fall after the seed heads have matured unless otherwise directed by the Engineer.

02930 Establishing Turf and Wildflowers

02930.1 General

The work covered by this section includes all work necessary to produce a satisfactorily established turf and/or growth of wildflowers and the care for each as specified. After topsoil, all disturbed areas shall be seeded with the Turf Blend or Annual Rye at a minimum. Establishing wildflowers may or may not be required in this contract. Contact the Landscape Architect at the Division of Operations at 518-402-9084 with any questions.

Establishing Turf - The work consists of preparing ground surfaces for seeding, furnishing and applying fertilizer, limestone (if required), seed, mulch and mulch anchorage and watering on areas indicated in the contract documents and as directed, and maintaining such areas.

Establishing Wildflowers - Wildflowers may/may not be required for this project.

02930.2 Materials

A. Seed - All seed shall be furnished and delivered in the vendor's unopened packages, labeled to show the gross weight and percent purity for each species, variety and strain, and the minimum percentage of germination for each. The percentage of pure live seed (P.L.S.) will be computed by multiplying the percent germination by percent purity and dividing by 100. The P.L.S. of each kind multiplied by the net weight of the container will indicate the number of pounds of pure live seed per container. The rate of all seeding will be determined by the calculated P.L.S. of the approved blend.

Turf Blend:

Seed Mix - The Contractor shall submit, for approval, the following seed mix in sufficient quantity to complete all work as specified.

<u>Variety</u>	<u>Wt. P.L.S./Acre</u>
Kentucky Bluegrass	85 lbs. 65%
Perennial Ryegrass	25 lbs. 20%
Chewings Fescue	<u>20 lbs. 15%</u>
TOTAL	130 lbs.

Wildflower Blend:

Seed Mix - The Contractor shall submit, for approval, a commercially blended seed mix in sufficient quantity to complete all work as specified. The mix shall consist of a minimum of 16 varieties of wildflowers selected for planting in the northeast and a minimum of 3 varieties of bunch grasses. The wildflower varieties shall contain a high percentage of perennials to annuals. The grass varieties shall be of the shorter bunch grass types and proportioned so as not to dominate the wildflowers. The blended Wildflower seed mix shall also contain a nurse crop as specified, based upon the scheduled dates of seeding.

Nurse Crops - The submitted wildflower seed mix for *Spring* seeding shall contain the addition of Annual Rye (*Lolium multiflorum*) in sufficient quantity so as to provide an application rate of five (5) pounds per acre. The submitted wildflower seed mix for *Fall* seeding shall contain the addition of Annual Rye (*Lolium multiflorum*) in sufficient quantity so as to provide an application rate of twenty-five (25) pounds per acre. These increases in rate of application will be added to the base application rate specified for the wildflower seed mix. The nurse crop will be blended with the supplied wildflower seed mix as approved and not seeded separately.

Certification - Seeds will be accepted on the basis of certification unless otherwise specified. The certification shall consist of the label that must be attached to each container of seed in accordance with the provisions of the New York State Agriculture and Market's Law. Seeds will not be accepted by certification unless the test dates shown on the seed container labels are within 1 (one) year that the seeds are sown.

Seeds will not be accepted if the seed container labels are removed prior to the time of sowing nor will seeds be accepted if the container labels have been altered, are obliterated or are otherwise illegible. Seed that has become wet, moldy or otherwise damaged in transit or storage will not be acceptable, and all delivered seed must be stored by the Contractor to prevent damage or deterioration from any source.

- B. Limestone - Agricultural limestone shall be ground limestone having a minimum total neutralizing value of 88% calcium carbonate equivalence. A minimum of 90% shall pass the 20 mesh sieve and a minimum of 60% shall pass the 100 mesh sieve. The material shall be supplied in the manufacturer's standard containers, not to exceed 100 lbs. each, with the name of the material, the name of the manufacturer, guaranteed analysis and net weight of the contents appearing on each container.
- C. Fertilizer - Fertilizer shall have a minimum guaranteed analysis of 10-6-4. Fifty percent of the total nitrogen shall be derived from ureaform (50% N/UF) furnishing a minimum of 3.5% water insoluble nitrogen (3.5% WIN). The balance of the nitrogen shall be present as methylene urea, water soluble urea, nitrate and

ammoniacal compounds. The fertilizer is to be packaged in the manufacturer's standard containers, with the material names and net weights or volumes of the contents and the manufacturer's name and guaranteed analysis appearing on each container.

- D. Mulch and Mulch Anchorage - Straw mulch shall consist of stalks of oats, wheat, rye or other approved crops which are free of noxious weeds. Weight shall be calculated on the basis of the straw having not more than 15% moisture content. Mulch anchorage shall be an approved non-staining, commercially available product that is specifically formulated for the purpose of anchoring or tacking hay or straw mulches. The materials shall be mixed and applied in accordance with the manufacturer's instructions that shall appear on each container.

02930.3

Construction Details

- A. Seasons: All seeding shall be sown at times/dates and methods based on supplier recommendations and shall be submitted for approval to the Engineer prior to ordering. Turf blends may be sown from April 1<sup>st</sup> to September 15<sup>th</sup>, with approval by the Engineer. Wildflower seed blends may be sown as an *Early* seeding, April 1<sup>st</sup> to July 1<sup>st</sup> and as a *Late* seeding, after October 15<sup>th</sup>, with approval by the Engineer. The Contractor shall notify the Engineer at least two working days prior to the time he intends to begin seeding operations and shall not begin any work until permission to do so has been obtained. When delays in operations carry the work beyond the dates specified, or when conditions of high winds, excessive moisture or ice are such that satisfactory results are not likely to be obtained for any stage of the work, the Engineer may stop the work. Work shall be resumed, with the Engineers approval, when the desired results are likely to be obtained or when approved corrective measures and procedures are adopted.

Dormant Seeding - *All seeding shall be scheduled to occur prior to September 15<sup>th</sup>. Areas not seeded by this date shall be immediately stabilized with a temporary seeding of Annual Ryegrass (Lolium multiflorum) applied at the rate of 30 lbs. per acre and receive final seeding the following season.*

With approval, seeding may occur after this date, and be considered a dormant seeding, with the following provisions; No seeding shall take place prior to October 15<sup>th</sup>, an acceptable seedbed has been prepared and all the requirements of producing a satisfactorily established turf and/or stand of wildflowers are adhered to. Special attention shall be made to the protection of all seeded areas with appropriate erosion control practices and the maintenance of proper mulch coverage. The Contractor shall correct all grade and over seed all areas disturbed or damaged by any means during the winter months. These repairs shall not take place until such areas are in a satisfactorily workable condition to establish a finished seed bed, unless considered emergency in nature by the Engineer. In that case such repairs shall be accomplished within five (5) days of being notified by the Engineer.

B. Establishing Turf: All areas to be seeded shall receive topsoil as specified, be maintained at approved grades and all irregularities that will pond water shall be eliminated. Weed growth that, in the opinion of the Engineer, may adversely affect germination or growth shall be removed or controlled, as approved, prior to seeding. All areas shall be scarified four to six inches deep to provide an even friable seedbed. All stone and other undesirable material over one (1) inch in any dimension shall be removed and disposed of. Fertilizer and/or limestone shall be evenly spread over the areas to be seeded at the following rates:

Limestone .....sufficient to correct pH to 6.5  
Fertilizer .....sufficient to provide one pound Nitrogen/1,000 ft.<sup>2</sup>

Seeds shall be distributed by any approved method that does not injure the seeds in the process of spreading at the following rate:

Turf Blend .....sufficient to provide a total of 130 lbs. P.L.S. per acre  
Seed to a depth of 1/4 inch with approved equipment. If seed is broadcast, roll areas after seeding. If areas are to be hydroseeded fertilizer and/or limestone may be applied through the seeder and rolling is not required.

C. Establishing Wildflowers: All areas to be seeded shall receive topsoil as specified, be maintained at approved grades and all irregularities that will pond water shall be eliminated. Weed growth that, in the opinion of the Engineer, may adversely affect germination or growth shall be removed or controlled, as approved, prior to seeding. All areas shall be scarified four to six inches deep to provide an even friable seedbed. All stone and other undesirable material over one (1) inch in any dimension shall be removed and disposed of. Seeds shall be distributed by any approved method that does not injure the seeds in the process of spreading at the following rate:

Wildflower Blend .....sufficient to provide a total of 8 lbs. P.L.S. per acre  
Nurse Crop .....*Early Seeding* - 5 lbs. per acre  
*Late Seeding* - 25 lbs. per acre

Seed to a depth of 1/4 inch with approved equipment. If seed is broadcast, roll areas after seeding. If areas are to be hydroseeded a two stage application is required. The first application shall include the total seed quantity and 5-10% of the mulching fiber. The second application shall include the balance of the mulch. Mulching fiber shall be applied at a total rate of between 1500 and 2300 lbs./acre. It is important to minimize the time the seeds are circulated through the pumps and paddles prior to application.

**END OF DIVISION 2**



## Outdoor Recreation – ADA Standard Specifications

### DIVISION 5 – METALS

#### 05010 METAL MATERIALS & METHODS

##### 05011 General Provisions

The Contractor shall be responsible for dimensions of all items in this Section. Dimensions given on Contract Plans shall be checked, verified by actual measurements of existing conditions. Anchors and other connecting members which occur in masonry or concrete shall be built in as the work progresses to avoid unnecessary cutting and drilling. Wherever dissimilar metals come into contact with each other, they shall be protected against electrolytic action in an approved manner. All metal work shall be well formed to shape and size, with sharp lines and angles; all burrs and sharp edges shall be ground smooth. Shearing and punching shall leave clean, true lines and surfaces. Permanent connections shall be welded or bolted as shown on the drawings. Exposed surfaces of castings and extrusions shall have smooth finish and sharp, well defined lines and rises. Joints shall be milled to a close fit. Where required, rivets and bolt heads shall be countersunk flush with surfaces. Provide necessary mortises, lugs and brackets so that the work can be concealed where possible. Thickness of metals and details of assembling and support shall give ample strength and stiffness. Joints exposed to the weather shall be formed to exclude water. All work shall be fabricated and installed in accordance with approved shop drawings.

Use of burned holes for bolted connections shall not be permitted. Provide holes, slots, cut-outs in steel members as specified, indicated, or required.

#### 05012 STEEL MATERIALS

##### 05012.1 General

The Contractor shall furnish and install new structural steel bracings, connecting plates and angles of ASTM A36 or A50 steel. Workmanship of steel members shall be in accordance with AISC standards for construction of steel structures.

##### 05012.2 Plain Steel

Where plain steel is called for, all structural shapes (wide flange beams, angles, channels, bars, and flat stock, etc.) shall be fabricated from ASTM A36 or A50 steel. Plain pipe shall be fabricated from ASTM A53 Grade A or B or ASTM A-120 steel. Where coatings are called for, these materials shall be coated as per Section 05030, Metal Finishes, or Section 09901, Painting.

#### 05030 METAL FINISHES

##### 05035 GALVANIZING

##### 05035.1 General

Where called for on the drawings or required by these specifications, steel shall be hot dip galvanized.

05035.2 Preparation of Metal Surfaces

All metal to be galvanized shall be thoroughly sand blasted to bare metal after final fabrication.

05035.3 Application

All galvanizing shall be by the hot dip method according to Federal Specification A1-23. Minimum coating shall be 2.3 oz. of zinc per square foot.

05036 GALVANIZING REPAIR

05036.1 General

Where galvanized steel handrails, fabrications, structural members and fasteners are field cut or drilled or have received minor abrasions or scratches, the marred areas shall be field repair galvanized. Minor abrasions and scratches are defined as less than 2% of the surface area of the member or up to sixteen square inches whichever is less on a given member. (The minimum width allocated to a scratch is 1/8 inch.) Where marring exceeds this amount, such members shall be replaced or hot dip galvanized. Areas to receive galvanizing repair shall be abraded to bare metal and thoroughly degreased. Two applications of the galvanizing repair material shall then be applied in accordance with manufacturer's directions.

05036.2 Material

Z.R.C. - Cold Galvanizing Zinc Compound by ZRC Products, Quincy, MA. Compound to be 95% metallic zinc by weight in dry film. Material must be in accordance with the provisions of ASTM A780, Standard Practice for the Repair of Damaged Hot-Dip Galvanized Coatings.

05036.3 Application

Apply two coats in accordance with the provisions of ASTM A780. Each coat shall be applied at the rate of 500 square feet per gallon.

05050 METAL FASTENING

05060 Welding

All welding shall be done in accordance with the applicable portions of the latest code of American Welding Society (AWS). All welding to be performed by prequalified welder having a current welder certificate. Before welding, all surfaces shall be cleaned free of loose scale, rust, paint or other foreign matter and shall be properly aligned. After welding, welds shall be wire-brushed and shall show uniform section, smoothness of weld metal, feather edges without overlaps and freedom from porosity and clinkers. Welds on exposed faces shall be reasonably smooth, free of surface holes, slag, undercut, or overlap. Flame cutting in the field shall be done only with approval of the engineer.

Where self-weathering steel is welded, the welding electrode shall conform to AWS 80818-C1. Where aluminum is welded, the welding electrode filler metal shall conform to Aluminum Association Filler 5356 or 4043.

05070 BOLTING

All bolted connections shall be made in accordance with the specifications for "Design, Fabrication and Erection of Structural Steel for Buildings," AISC.

Bolts shall be steel ASTM A307, Grade A, galvanized regular hexagon head. Nuts shall be steel ASTM A563, galvanized, heavy hex. Furnish with galvanized steel washer.

05500 METAL FABRICATIONS

05501 Anchor Bolts, Expansion Bolts, and Tapcons

Anchor bolts embedded in concrete or installed in concrete for connection to aluminum items shall stainless steel and all anchor bolts and expansion bolts for anchoring steel shall be hot-dip galvanized unless specifically called out on the drawings.

If anchor bolts are called to be cast in concrete on the drawings, expansion anchors will not be permitted without written acceptance by the Engineer.

Expansion bolts shall be installed in holes drilled to exact size indicated in the manufacturer's installation literature.

Expansion type anchors shall be of the type called out on the drawings as manufactured by Rawplug Company, Inc., New Rochelle, NY.

Predrilled Tapcon concrete anchors shall be used where shown on drawings as manufactured by Elco Industries, Rockford, Ill.

END OF DIVISION 5

**Outdoor Recreation - ADA Standard Specifications**

06000 DIVISION 6 - WOOD AND PLASTIC

06300 Wood Treatment

06310 Pressure Treatment Lumber

All lumber called out on drawings as pressure treated lumber, shall be pressure treated with ACQ Preserve in accordance with AWWA C1 And P5. Retention of ACQ shall be in accordance with AWWA C2, C9, C14, C15, C16, C17, or ICBO ER4981 as appropriate. Lumber shall be kiln dried to max. 19% moisture content, and 18% for Plywood.

Retention shall be as follows:

Above Ground Use : 0.25 lb/cu ft

Ground and Fresh Water Contact : 0.40 lb/cu ft

Under Ground and Foundation Systems: 0.60 lb/cu ft

A certificate of treatment shall be supplied to the Engineer with delivery of material.

END OF DIVISION 6

## Outdoor Recreation - ADA Standard Specifications

### 07000 DIVISION 7 - THERMAL AND MOISTURE PROTECTION

#### 07310 Shingles

##### 07310.1 General

Contractor shall furnish and install a weathertight fiber glassed based asphalt shingle roof system where shown on the drawings and specified herein.

##### 07310.3 Materials

- A. Shingles - shall be Oakridge Pro 50AR fiberglass shingles as manufactured by Owens Corning. Shingles shall meet the following ASTM specifications, D3018, type 1, D3161, E 108 Class A and be U.L. rated, Class "A" fire resistant, wind resistant, and have a 50 year limited warranty. Shingles shall be delivered to the job site intact, in the manufacturer's original packaging. Shingles and underlayment shall be applied in strict accordance with manufacturer's printed instructions. A minimum of 2 percent of the installed quantity shall be provided for maintenance stock in unopened clearly labeled bundles.
- B. Underlayment -Weather resistant membrane is Weatherlock by Owens Corning..
- C. Drip Edge - 3" aluminum, formed drip edge.

##### 07310.4 Installation

Do not install underlayment or shingles on wet surfaces

- A. Over the entire roof area, furnish and install one ply of weather membrane, joints lapped 2" horizontal, 4" vertical.
- B. Shingles shall be applied using accepted industry standards. **No staples shall be used.** For shingles, a minimum of 4 nails shall be used per manufacturer's directions. Install all roofing components in accordance with manufacturer's instructions,"A Guide to Installing Asphalt Roofing Shingles" by Owens Corning with Attachments.

END OF DIVISION 7

## Outdoor Recreation - ADA Standard Specifications

09000 DIVISION 9 - FINISHES.

09900 Painting and Staining

09900.1 General

The Contractor shall submit to the Engineer all color charts and brushouts necessary for the selection of paint colors and stains. No painting or staining of material shall take place until the above verification samples have been approved by the Engineer. All samples shall be minimum 12" x 12". All material shall be delivered to the site in unopened original containers bearing manufacturer's printed labels. The storage area for paint materials shall be kept clean and accessible to the Engineer at all times. All necessary precautions shall be taken to avoid fire. Oily rags shall be removed from the premises and disposed of at the close of each day.

09900.2 Materials

A. Exterior Siding, Corner Boards, Trim, Fascia, Soffit, Posts & Beams- 2 finish coats Olympic Solid Color Stain **all surfaces of boards.** No primer. Color charts shall accompany submittals for selection.

B. Interior Wood Trim, Ceiling and Walls

1 Coat Speedhide Exterior Primer as manufactured by Pittsburgh Paints.

2 Coats Oil Type Alkyd - Speedhide Ext. Inter. gloss paint as manufactured by Pittsburgh Paints.

Color charts shall accompany submittal for selection

09900.3 Application

In strict accordance with instructions and directions of manufacturers of specified or approved material used. By skilled mechanics; spread materials evenly, flow on smoothly without runs, sags, lumps, brush marks, laps or other defects. **Siding shall be pre-stained on exposed sides, and all edges prior to installation to prevent moisture penetration and minimize the shrinkage of boards** Cover surfaces to be stained with uniform stain coat; wipe off as required. Finish door tops, bottom, edges, same as balance of door after they are fitted under Div. 8, "Doors and Windows." Do no exterior painting while surface is damp or during rainy weather. Where interior or exterior wood or metal are primed in mill or shop, use materials in every case same as that specified for such surface; use as per manufacturer's directions for first or prime coat. Protect adjacent work, materials, by suitable covering or other methods during work progress.

09900.4 Additional Paint & Stain

One unopened gallon of every paint, stain, shellac and urethane of each color shall be supplied to the Engineer for future touch-up.

END OF DIVISION 9



## **APPENDIX**





## Universal Design

Universal design makes products and environments usable by all people, to the greatest extent possible, without the need for adaptation or specialized design. The intent is to do so from the beginning of a project at little or no extra cost. Universal design benefits people of all ages and abilities (Mace 2008).

### *Principles of Universal Design*

**Equitable Use** - The design is useful to people with diverse abilities.

**Flexibility in Use** - The design accommodates a wide range of individual preferences & abilities.

**Simple and Intuitive Use** - Use of the design is easy to understand, regardless of the user's experience, knowledge, language skills or current concentration level.

**Perceptible Information** - The design communicates information effectively to the user, regardless of the conditions or the user's sensory abilities.

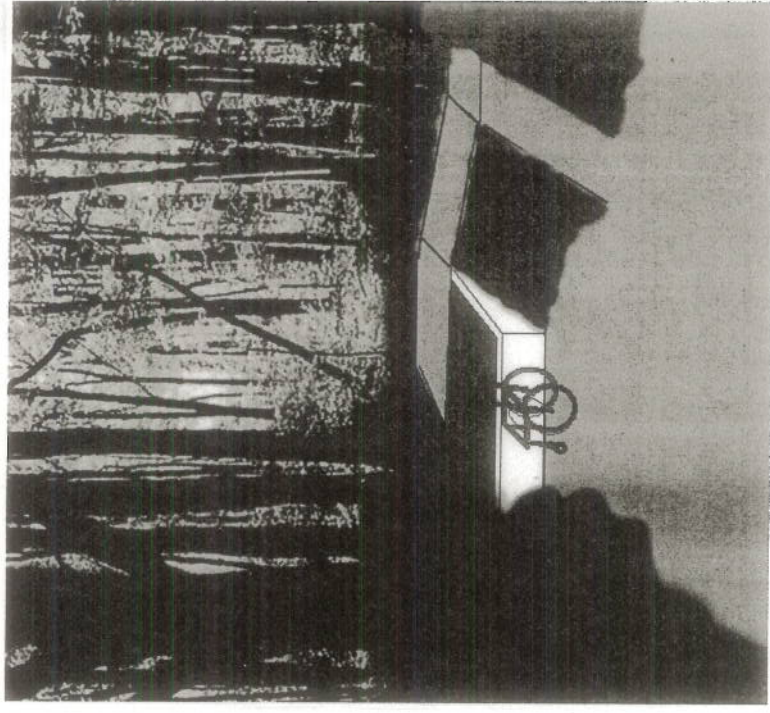
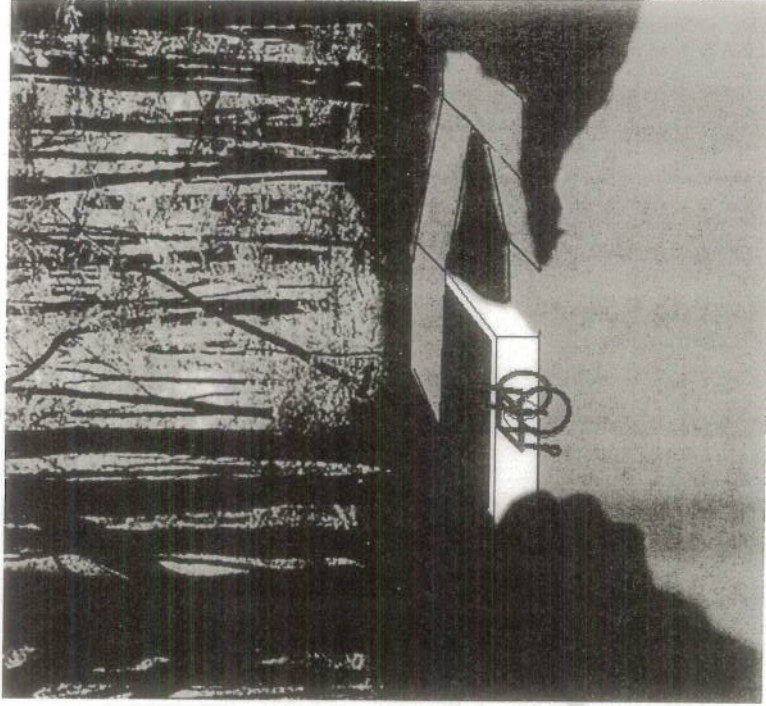
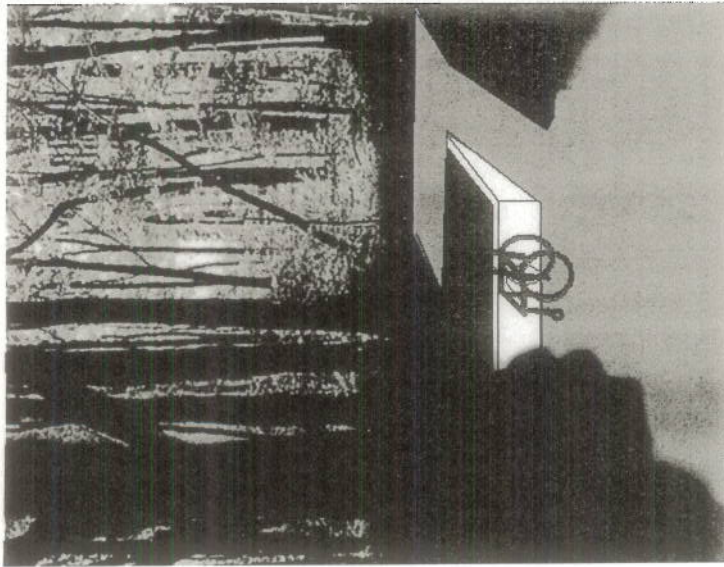
**Tolerance for Error** - The design minimizes hazards and the adverse consequences of accidental or unintended actions.

**Low Physical Effort** - The design can be used efficiently and comfortably with minimal fatigue.

**Size and Space for Approach and Use** - Appropriate size and space is provided for approach, reach, manipulation, and use regardless of the user's body size, posture, or mobility.

**3 EXAMPLES: LAYOUT OF HILLSIDE CAMPSITE TENT PAD**

**(NOTE: LAYOUT MUST FOLLOW ALL REQUIREMENTS)**



**UNIVERSAL DESIGN RESOURCES/INFO:**

**1. 2010 ADA Standards:**

**[http://www.ada.gov/2010ADASTandards\\_index.htm](http://www.ada.gov/2010ADASTandards_index.htm)**

**2. Final Guidelines for Outdoor Developed Areas:**

**<http://www.access-board.gov/guidelines-and-standards/recreation-facilities/outdoor-developed-areas/final-guidelines-for-outdoor-developed-areas/single-file-version-of-rule>**

**3. DEC Accessibility link:**

**<http://internal.dec.state.ny.us/dlf/dlf74.html>**

**4. National Center on Accessibility at Univ. of Indiana-Bloomington:**

**[www.ncaonline.org](http://www.ncaonline.org)**

**Northeast ADA Center at Cornell University:**

**[www.northeastada.org](http://www.northeastada.org)      800-949-4232**

**Accessibility Services:**

**[www.accessibility-services.com](http://www.accessibility-services.com)**

**ADA National Network:**

**[www.ADAchecklist.org](http://www.ADAchecklist.org)**

**5. NYSDEC Division of Operations, Bureau of Design/Construction,**

**625 Broadway, 3<sup>rd</sup> floor, Albany, NY, 12233, 518-402-9084**

**6. NYSDEC Universal Access Coordinator:**

**Carole Fraser at [cafraser@gw.dec.state.ny.us](mailto:cafraser@gw.dec.state.ny.us) or 518-402-9428**



## REGULATORY CLEARANCE CHECKLIST

PROGRAM	PERMIT	REQUIRED		SECURED BY (NAME)	COMMENTS
		YES	NO		
Air Resources	Combustion Installation				
	Exhaust and Vent. Sys.				
	Restricted Burning				
	Incinerator				
Fish and Wildlife	Freshwater Wetlands				
	Protection of Waters				
Lands and Forests	Protected Native Plants				
	Wild, Scenic & Rec River				
Marine Resources	Tidal Wetlands				
Mineral Resources	Mining				
Compliance Services	SEQR				
	Env. Impact Statement				
	Water Quality Cert.				
Solid/Hazardous Materials	Solid Waste Mgt.. Fac.				
Water	Coastal Erosion Mgt.				
	Dam Safety Review				
	Const. In Flood Hazard				
	Wells (Long Island)				
	Public Water Supply				
	SPDES				
Spills Management	Chem. Bulk Storage				
	Petro. Bulk Storage				
Other DEC	Contract Clearance Sh.				
	DOB Exemption				
	Building Permits				
	Tree Cutting				
	Unit Management Plan				
Outside DEC	Local Permits				
	APA Review				
	Corps. of Engineers				
	Easements				
	Highway Enter DOT				
	Wastewater Disposal				
	Historic Preservation				
	Asbestos Survey & Abatement				

